

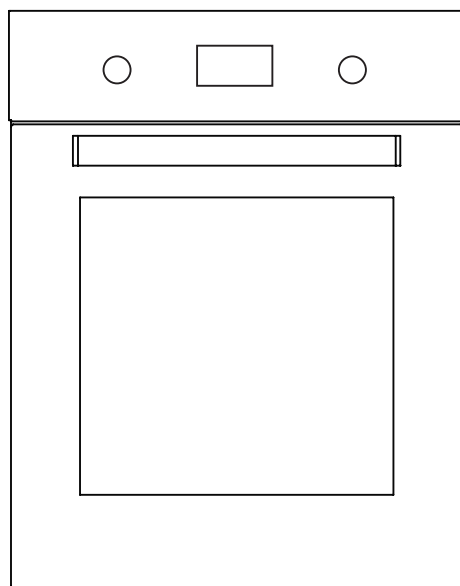
# BUILT-IN OVEN

45 cm

Electrical

Electric

Електрическа



10021825

**USER MANUAL** **GB**  
**MANUAL DE UTILIZARE** **RO**  
**РЪКОВОДСТВО НА ПОТРЕБИТЕЛЯ** **BG**

**Dear Customer,**

Thank you for relying on this product. We aim to allow you to optimally and efficiently use this environment-friendly product produced in our modern facilities under precise conditions with respect to sense of quality in total.

We advise you to read these operating manual thoroughly before using the oven and keep it permanently so that the features of the built-in oven you have purchased will stay the same as the first day for a long time.

**Note:** This operating manual is prepared for multiple models. Your appliance may not feature some functions specified in the manual.

The product images are schematic.

This product has been produced in modern environment-friendly facilities without adversely affecting nature.

Products marked with (\*) are optional.

**"Complies with WEEE Regulation"**

## Contents

Important warnings.....	4
Electrical connection.....	12
Introducing the appliance.....	13
Accessories.....	14
Technical specifications.....	15
Installation of appliance.....	15
Control panel.....	21
Using the oven.....	23
Using the grill.....	24
Using the chicken roasting.....	24
Program types.....	25
Cooking recommendations.....	26
Cooking table.....	27
Maintenance and cleaning.....	28
Steam cleaning.....	28
Cleaning and mounting oven door.....	29
Cleaning oven glass.....	30
Catalytic panel.....	31
Rack positions.....	31
Replacing oven lamp.....	32
Troubleshooting.....	33
Handling rules.....	35
Recommendations for energy saving.....	35
Environmentally-friendly disposal.....	36
Package information.....	36

## IMPORTANT WARNINGS

1. Installation and repair should always be performed by **“AUTHORIZED SERVICE”**. Manufacturer shall not be held responsible for operations performed by unauthorized persons.
2. Please read this operating instructions carefully. Only by this way you can use the appliance safely and in a correct manner.
3. The oven should be used according to operating instructions.
4. Keep children below the age of 8 and pets away when operating.
5. **The accessible parts may be hot during use. Young children must be kept away.**
6. **WARNING: Danger of fire: do not store items on the cooking surfaces.**
7. **WARNING: During use the appliance becomes hot. Care should be taken to avoid touching heating elements inside the oven.**
8. Setting conditions of this device are specified on the label. (Or on the data plate)
9. The accessible parts may be hot when the grill is used. Small children should be kept away.
10. **WARNING: This appliance is intended for cooking. It should not be used for other purposes like heating a room.**
11. To clean the appliance, do not use steam cleaners.



**12.** Ensure that the oven door is completely closed after putting food inside the oven.

**13.** NEVER try to put out the fire with water. Only shut down the device circuit and then cover the flame with a cover or a fire blanket.

**14. WARNING: Children less than 8 years of age shall be kept away unless continuously supervised.**

**15.** Touching the heating elements should be avoided.

**16. CAUTION: Cooking process shall be supervised. Cooking process shall always be supervised.**

**17.** This appliance can be used by children aged from 8 years and above and persons with reduced physical, sensory or mental capabilities or lack of experience and knowledge if they have been given supervision or instruction concerning use of the appliance in a safe way and understand the hazards involved. Children shall not play with the appliance. Cleaning and user maintenance shall not be made by children without supervision.

**18.** This device has been designed for household use only.

**19.** Children must not play with the appliance. Cleaning or user maintenance of the appliance shall not be performed by children unless they are older than 8 years and supervised by adults.

**20.** Keep the appliance and its power cord away from children less than 8 years old.

**21.** Put curtains, tulle, paper or any flammable (ignitable) material away from the appliance before starting to use the appliance. Do not put ignitable or flammable materials on or in the appliance.

**22.** Keep the ventilation channels open.

**23.** The appliance is not suitable for use with an external timer or a separate remote control system.

**24.** Do not heat closed cans and glass jars. The pressure may lead jars to explode.

**25.** Oven handle is not a towel drier. Do not hang towels, etc. on the oven handle.

**26.** Do not place the oven trays, plates or aluminium foils directly on the oven base. The accumulated heat may damage the base of the oven.

**27.** While placing food to or removing food from the oven, etc., always use heat resistant oven gloves.

**28.** Do not use the product in states like medicated and/or under influence of alcohol which may affect your ability of judgement.

**29.** Be careful when using alcohol in your foods. Alcohol will evaporate at high temperatures and may catch fire to cause a fire if it comes in contact with hot surfaces.

**30.** After each use, check if the unit is turned off.

**31.** If the appliance is faulty or has a visible damage, do not operate the appliance.

**32.** Do not touch the plug with wet hands. Do not pull the cord to plug off, always hold the plug.

**33.** Do not use the appliance with its front door glass removed or broken.

**34.** Place the baking paper together with the food into a pre-heated oven by putting it inside a cooker or on an oven accessory. (tray, wire grill etc.)

**35.** Do not put objects that children may reach on the appliance.

**36.** It is important to place the wire grill and tray properly on the wire racks and/or correctly place the tray on the rack. Place the grill or tray between two rails and make sure it is balanced before putting food on it.

**37.** Against the risk of touching the oven heater elements, remove excess parts of the baking paper that hang over from the accessory or container.

**38.** Never use it at higher oven temperatures than the maximum usage temperature indicated on your baking paper. Do not place the baking paper on the base of the oven. Against the risk of touching the oven heater elements, remove excess parts of the baking paper that hang over from the accessory or container.

**39.** When the door is open, do not place any heavy object on the door or allow children to sit on it. You may cause the oven to overturn or the door hinges to be damaged.

**40.** The packaging materials are dangerous for children. Keep packaging materials away from the reach of children.

**41.** Do not use abrasive cleaners or sharp metal scrapers to clean the glass as the scratches that may occur on the surface of the door glass may cause the glass to break.

**42.** User should not handle the oven by himself.

**43.** During usage, the internal and external surfaces of the oven get hot. As you open the oven door, step back to avoid the hot vapour coming out from the interior. There is risk of burning.

**44.** Do not place heavy objects when oven door is open, risk of toppling.

**45.** Oven supply can be disconnected during any construction work at home. After completing the work, re-connecting the oven shall be done by authorized service.

**46.** User should not dislocate the resistance during cleaning. It may cause an electric shock.

**47.** To prevent overheating, the appliance should not be installed behind of a decorative cover.

**48.** Turn off the appliance before removing the safeguards. After cleaning, install the safeguards according to instructions.

**49.** Cable fixing point shall be protected.

**50.** Please don't cook the food directly on the tray / grid. Please put the food into or on appropriate tools before putting them in the oven.



## Electrical Safety

1. Plug the appliance in a grounded socket protected by a fuse conforming to the values specified in the technical specifications chart.
2. Have an authorized electrician set grounding equipment. Our company shall not be responsible for the damages that shall be incurred due to using the product without grounding according to local regulations.
3. The circuit breaker switches of the oven shall be placed so that end user can reach them when the oven is installed.
4. The power supply cord (the cord with plug) shall not contact the hot parts of the appliance.
5. If the power supply cord (the cord with plug) is damaged, this cord shall be replaced by the manufacturer or its service agent or an equally qualified personnel to prevent a hazardous situation.
6. Never wash the appliance by spraying or pouring water on it. There is a risk of electrocution.
7. **WARNING: To avoid electric shock, ensure that the device circuit is open before changing the lamp.**
8. **WARNING: Cut off all supply circuit connections before accessing the terminals.**
9. Do not use cut or damaged cords or extension cords other than the original cord.
10. Make sure that there is no liquid or humidity in the outlet where the product plug is installed.

**11.** The rear surface of the oven also heats up when the oven is operated. Electrical connections shall not touch the rear surface, otherwise the connections may be damaged.

**12.** Do not tighten the connecting cables to the oven door and do not run them over hot surfaces. If the cord melts, this may cause the oven to short circuit and even a fire.

**13.** Unplug the unit during installation, maintenance, cleaning and repair.


**14.** If the power supply cable is damaged, it must be replaced by its manufacturer or authorized technical service or any other personnel qualified at the same level, in order to avoid any dangerous situation.

**15.** Make sure the plug is inserted firmly into wall socket to avoid sparks.

**16.** Do not use steam cleaners for cleaning the appliance, otherwise electric shock may occur.

**17.** An omnipolar switch capable to disconnect power supply is required for installation. Disconnection from power supply shall be provided with a switch or an integrated fuse installed on fixed power supply according to building code.

**18.** Appliance is equipped with a **type “Y”** cord cable.



**19.** Fixed connections shall be connected to a power supply enabling omnipolar disconnection. For appliances with over voltage category below III, disconnection device shall be connected to fixed power supply according to wiring code.

### **Intended Use**

- 1.** This product has been designed for domestic use. Commercial use is not permitted.
- 2.** This appliance may only be used for cooking purposes. It shall not be used for other purposes like heating a room.
- 3.** This appliance shall not be used to heat plates under the grill, drying clothes or towels by hanging them on the handle or for heating purposes.
- 4.** The manufacturer assumes no responsibility for any damage due to misuse or mishandling.
- 5.** Oven part of the unit may be used for thawing, roasting, frying and grilling food.
- 6.** Operational life of the product you have purchased is 10 years. This is the period for which the spare parts required for the operation of this product as defined is provided by the manufacturer.

## Electrical Connection

This oven must be installed and connected to its place correctly according to manufacturer instructions and by an authorized service.

Appliance must be installed in an oven enclosure providing high ventilation.

Electrical connections of the appliance must be made only via sockets having earth system furnished in compliance with rules. Contact an authorized electrician if there is no socket complying with the earthed system at where appliance will be placed. Manufacturing company is by no means responsible for damage resulting from connection of non-earthed sockets to appliance.

Plug of your oven must be earthed; ensure that socket for the plug is earthed. Plug must be located in a place that can be accessed after installation.

Your oven has been manufactured as 220-240 V 50/60 Hz. AC power supply compliant and requires a 16 Amp fuse. If your power network is different that these indicated values, refer to an electrician or your authorized service.

When you need to replace the electrical fuse, please ensure that electrical connection is made as follows:

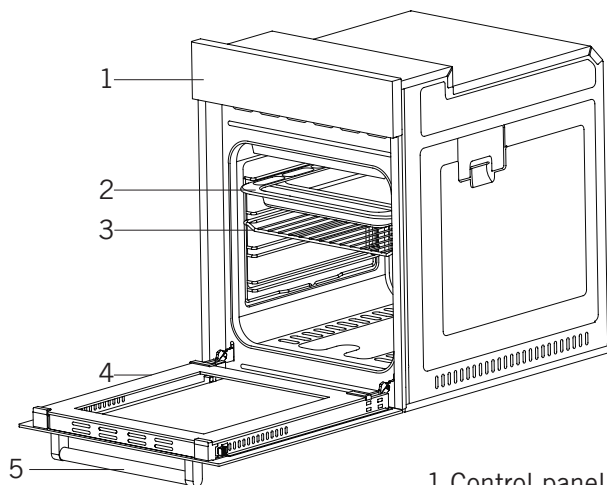
- Phase (to live terminal) brown cable
- Blue cable to neutral terminal
- Yellow-green cable to earth terminal

Oven disconnecting switches must be in an accessible place for final user while oven is in its place.

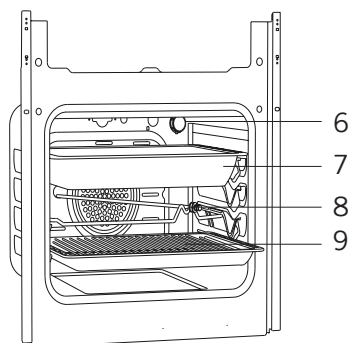
Power supply cable (plug in cable) mustn't touch hot parts of the appliance.

If supply cord (plug in cable) is damaged, this cord must be replaced by the importer or its service agent or an equally competent personnel to prevent a hazardous situation.

## INTRODUCING THE APPLIANCE

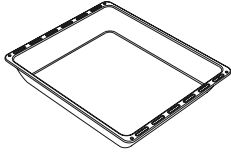


1. Control panel
2. Standart tray
3. Wire grill
4. Oven door
5. Handle



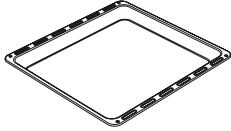
6. Lamp
7. Deep tray \*
8. Roast chicken skewer \*
9. In tray wire grill \*

## Accessories (optional)



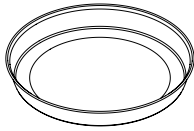
### Deep tray \*

Used for pastry, big roasts, watery foods. It can also be used as oil collecting container if you roast directly on grill with cake, frozen foods and meat dishes.



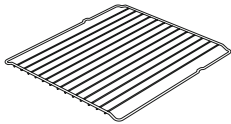
### Tray

Used for pastry (cookie, biscuit etc.), frozen foods.



### Circular tray \*

Used for pastry frozen foods.



### Wire grill

Used for roasting or placing foods to be baked, roasted and frozen into desired rack.



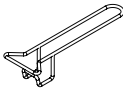
### Telescopic rail \*

Trays and wire racks can be removed and installed easily thanks to telescopic rails.



### In tray wire grill \*

Foods to stick while cooking such as steak are placed on in tray grill. Thus contact of food with tray and sticking are prevented.



### Tray handle \*

It is used to hold hot trays.

## Technical Specifications

Specifications	45 cm Built-in oven
Lamp power	15-25 W
Thermostat	40-240 / Max °C
Lower heater	1000 W
Upper heater	800 W
Turbo heater	1800 W
Grill heater	1500 W
Supply voltage	220V-240V 50/60 Hz

Technical specifications can be changed without prior notice to improve product quality.

The values provided with the appliance or its accompanying documents are laboratory readings in accordance with the respective standards. These values may differ depending on the use and ambient conditions.

Figures in this guide are schematic and may not be exactly match your product.

### INSTALLATION OF APPLIANCE

Ensure that electrical installation is suitable for operationalising the appliance. If not, call an electrician and plumber to make necessary arrangements. Manufacturing firm can't be hold responsible for damages to arise due to operations by unauthorized people and product warranty becomes void.

**WARNING:** It is customer's responsibility to prepare the location the product shall be placed on and also have power utility prepared.

**WARNING:** The rules about electrical local standards must be adhered to during product installation.

**WARNING:** Check for any damage on the product before installing it. Do not have product installed if it's damaged. Damaged products pose danger for your safety.

## Important Warnings for Installation:

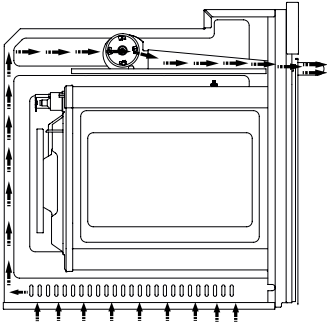


Figure 1

Cooling fan shall take extra steam out and prevent outer surfaces of appliance from overheating during operation of oven. This is a necessary condition for better appliance operation and better cooking.

Cooling fan shall continue operation after cooking is finished. Fan shall automatically stop after cooling is completed.

A clearance must be left behind the enclosure where you'll place the appliance for efficient and good operation.

This clearance shouldn't be ignored as it's required for ventilation system of the appliance to operate.

### Right Place For Installation

Product has been designed to be mounted to worktops procured from market. A safe distance must be left between the product and kitchen walls or furniture. See the drawing provided on the next page for proper distances. (values in mm).

- Used surfaces, synthetic laminates and adhesives must be heat resistant. (minimum 100 °C)
- Kitchen cupboards must be level with product and secured.
- If there is a drawer below the oven, a rack must be placed between oven and drawer.

**WARNING:** Do not install the product next to refrigerators or coolers. The heat emitted by the product increases the energy consumption of cooling devices.

**WARNING:** Do not use door and/or handle to carry or move the product.



## **45 cm Built-In Oven Installation And Mounting**

Place of use for product must be located before starting installation.

Product mustn't be installed in places which are under the effect of strong air flow.

Carry the product with minimum two people. Do not drag the product so that floor isn't damaged.

Remove all transportation materials inside and outside the product. Remove all materials and documents in the product.

### **Installation Under Counter**

Cabin must match the dimensions provided in figure 2.

A clearance must be provided at the rear part of the cabin as indicated in the figure so that necessary ventilation can be achieved.

After mounting, the clearance between lower and upper part of the counter is indicated in figure 5 with "A". It's for ventilation and shouldn't be covered.

### **Installation In An Elevated Cabinet**

Cabin must match the dimensions provided in figure 4.

The clearances with the dimensions indicated in the figure must be provided at the rear part of cabin, upper and lower sections so that necessary ventilation can be achieved.

### **Installation Requirements**

Product dimensions are provided in the figure 3.

Furniture surfaces for mounting and mounting materials to be used must have a minimum temperature resistance of 100 °C.

Mounting cabin must be secured and its floor must be plane for product not to tilt over.

Cabin floor must have a minimum strength that would handle a load of 60 kg.

### **Placing And Securing The Oven**

Place the oven into the cabin with two or more people.

Ensure that oven's frame and front edge of the furniture match uniformly.

Supply cord mustn't be under the oven, squeeze in between oven and furniture or bend.

Fix the oven to the furniture by using the screws provided with the product. Screws must be mounted as shown in figure 5 by passing them through plastics attached to frame of the product. Screws mustn't be overtightened. Otherwise, screw sockets might be worn.

Check that oven doesn't move after mounting. If oven isn't mounted in accordance with instructions, there is a risk of tilt over during operation.

### **Electrical Connection**

Mounting place of the product must have appropriate electrical installation.

Network voltage must be compatible with the values provided on type label of product.

Product connection must be made in accordance with local and national electrical requirements.

Before starting the mounting disconnect network power. Do not connect the product to network until its mounting is completed.

### **Mounting**



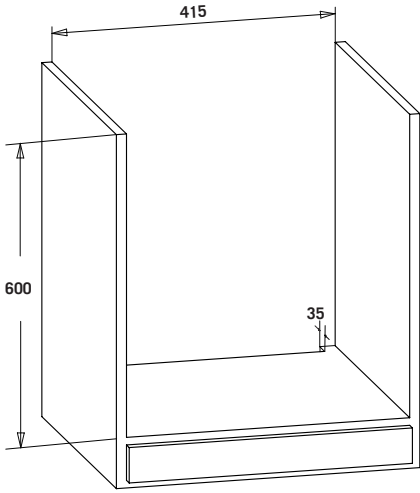


Figure 2

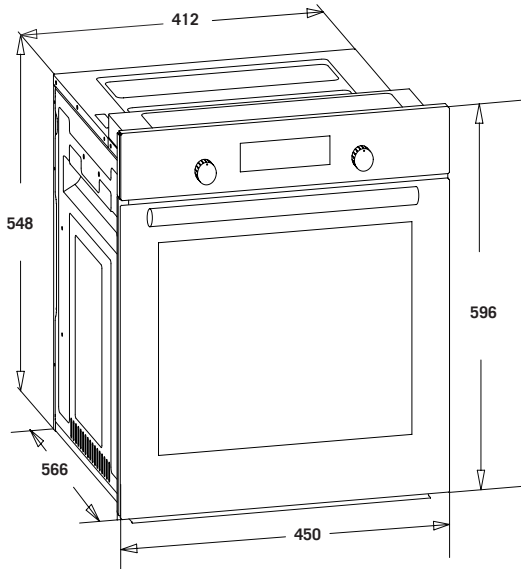
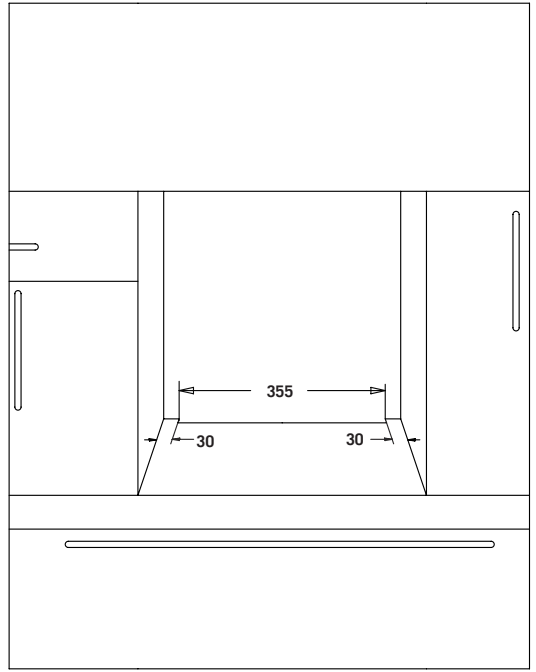


Figure 3

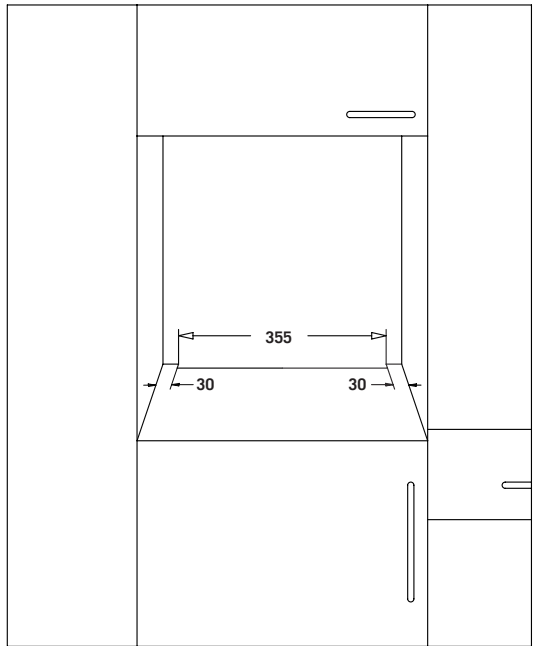
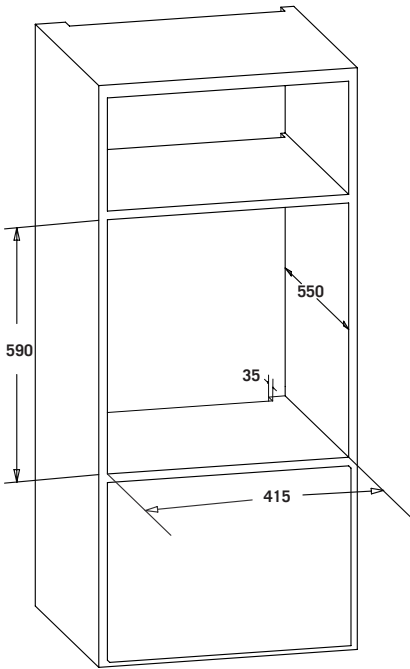
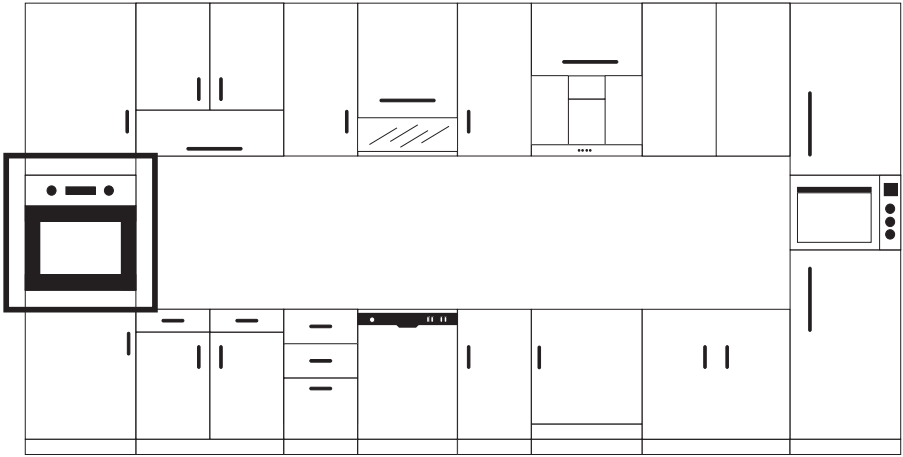
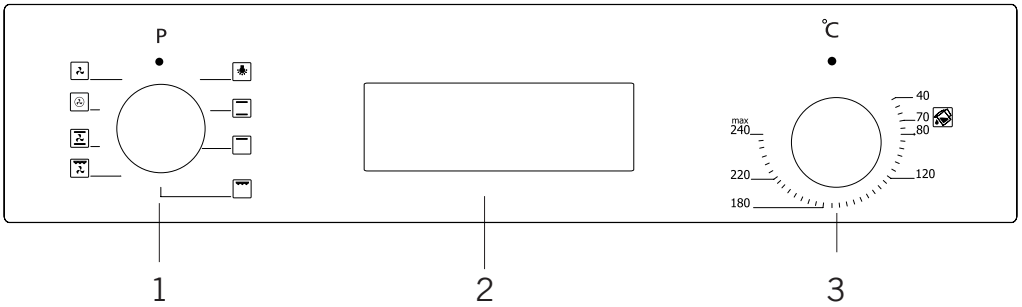


Figure 4



Figure 5

**CONTROL PANEL**



1. Function button
2. Mechanical or digital timer
3. Thermostat

**WARNING:** The control panel above is only for illustration purposes. Consider the control panel on your device.



**Thermostat Button:** Helps to set cooking temperature of the food to be cooked in the oven. You can set the desired temperature by turning the button after placing the food into the oven. Check cooking table related to cooking temperatures of different foods.



**Mechanical Timer Button \*:** Helps to set time for the food to be cooked in the oven. Timer de-energizes the heaters when set time expires and warns you by ringing. See cooking table for cooking times.

### Using Pop-up Button \*

Adjustment can be made only when button is popped for models with pop-up button.



Make sure that button is popped by pressing on the button as shown in the figure at left side.



You can make necessary adjustments by turning right or left when button is popped enough.

## **USING THE OVEN**

### **Initial Use Of Oven**

Here are the things you must do at first use of your oven after making its necessary connections as per instructions:

- 1.** Remove labels or accessories attached inside the oven. If any, take out the protective folio on front side of the appliance.
- 2.** Remove dust and package residues by wiping inside of the oven with a damp cloth. Inside of oven must be empty. Plug the cable of appliance into the electrical socket.
- 3.** Set the thermostat button to the highest temperature (240 Max. °C) and run the oven for 30 minutes with its door closed. Meanwhile a slight smoke and smell might occur and that's a normal situation.
- 4.** Wipe inside of the oven with a slightly warm water with detergent after it becomes cold and then dry with a clean cloth. Now you can use your oven.

### **Normal Use Of Oven**

- 1.** Adjust thermostat button and temperature at which you want to cook the food to start cooking.
- 2.** You can set cooking time to any desired time by using the button at models with mechanical timer. Timer will de-energize heaters when time expired and provide warning beep as ringing.
- 3.** Timer turns the heaters off and provides audible signal when cooking time expires in line with the information entered in the models with digital timer.
- 4.** Cooling system of the appliance will continue to operate after cooking is completed. Do not cut the power of appliance in this situation which is required for appliance to cool down. System will shut down after cooling is completed.

## Using The Grill

1. When you place the grill on the top rack, the food on the grill shall not touch the grill.
2. You can preheat for 5 minutes while grilling. If necessary, you may turn the food upside down.
3. Food shall be in the center of the grill to provide maximum air flow through the oven.

### To turn on the grill;

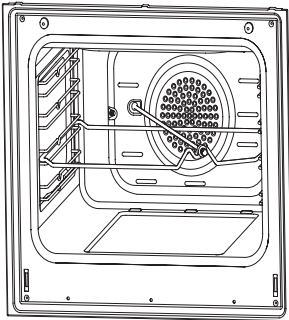
1. Place the function button over the grill symbol.
2. Then, set it to the desired grill temperature.

### To turn the grill off;

Set the function button to the off position.

**WARNING:** Keep the oven door closed while grilling.

## Using The Chicken Roasting \*

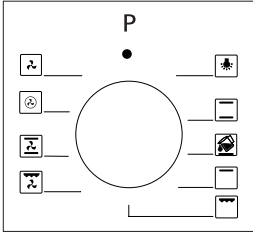


Place the spit on the frame. Slide turn spit frame into the oven at the desired level. Locate a dripping pan through the bottom in order to collect the fast. Add some water in dripping pan for easy cleaning. Do not forget to remove plastic part from spit. After grilling, screw the plastik handle to the skewer and take out the food from oven.

Figure 6



## PROGRAM TYPES



**Program Button:** Helps to set with which heaters the food placed in oven will be cooked. Heater program types in this button and their functions are stated below. Every model might not have all heater types and thus program types of these heaters.

Heating program types in your appliance and important explanations of them are provided below for you can cook different foods appealing to your taste.

	Lower and upper heating elements		Fan
	Lower heating element and fan		Turbo heater and fan
	Grill and roast chicken		Lower-upper heating element and fan
	Upper heating element and fan		Grill and fan
	Lower heating element		Grill
	Upper heating element		Steam cleaning

**Lower heating element:** Select this program towards end of cooking time if lower part of the food cooked will be roasted.

**Upper heating element:** Used for post heating or roasting very little pieces of foods.

**Lower and upper heating elements:** A program that can be used for cooking foods like cake, pizza, biscuit and cookie.

**Lower heating element and fan:** Use mostly for cooking foods like fruit cake.

**Lower and upper heating element and fan:** The program suitable for cooking foods like cakes, dried cakes, lasagne. Suitable for cooking meat dishes, as well.

**Grill:** Grill cooker is used for grilling meat like foods such as steak, sausage and fish. While grilling, tray should be placed in the lower rack and water must be placed in it.

**Turbo heater and fan:** Suitable for baking and roasting. Keep heat setting lower than “Lower and Upper Heater” program since heat is conveyed immediately via air flow.

**Grill and fan:** Suitable for cooking meat type foods. Do not forget to place a cooking tray in a lower rack inside the oven and a little water in it while grilling.

### **COOKING RECOMMENDATIONS**

You can find in the following table the information of food types which we tested and identified their cooking values in our labs. Cooking times can vary depending on the network voltage, quality of material to be cooked, quantity and temperature. Dishes to cook by using these values might not appeal to your taste. You can set various values for obtaining different tastes and results appealing to your taste by making tests.

**WARNING:** Oven must be preheated for 7-10 minutes before placing the food in it.

## Cooking Table

Food	Cooking function	Cooking temperature (°C)	Cooking rack	Cooking time (min.)
Cake	Static / Static+fan	170-180	2-3	35-45
Small cake	Static / Turbo+fan	170-180	2	25-30
Pie	Static / Static+fan	180-200	2	35-45
Pastry	Static	180-190	2	20-25
Cookie	Static	170-180	2	20-25
Apple pie	Static / Turbo+fan	180-190	1	50-70
Sponge cake	Static	200/150 *	2	20-25
Pizza	Static fan	180-200	3	20-30
Lasagne	Static	180-200	2-3	25-40
Meringue	Static	100	2	50
Grilled chicken **	Grill+fan	200-220	3	25-35
Grilled fish **	Grill+fan	200-220	3	25-35
Calf steak **	Grill+fan	Max	4	15-20
Grilled meatball **	Grill+fan	Max	4	20-25

\* Do not preheat. First half of cooking time is recommended to be at 200°C de while the other half at 150°C.

\*\* Food must be turned after half of the cooking time.

## MAINTENANCE AND CLEANING

1. Remove the power plug from electrical socket.
2. Do not clean inner parts, panel, trays and other parts of the product with hard tools such as bristle brush, wire wool or knife. Do not use abrasive, scratching materials or detergent.
3. Rinse after wiping the parts at inner parts of the product with soapy cloth, then dry thoroughly with a soft cloth.
4. Clean glass surfaces with special glass cleaning material.
5. Do not clean your product with steam cleaners.
6. Never use combustibles like acid, thinner and gas while cleaning your product.
7. Do not wash any part of the product in dishwasher.
8. Use potassium stearate (soft soap) for dirt and stains.

### Steam Cleaning \*

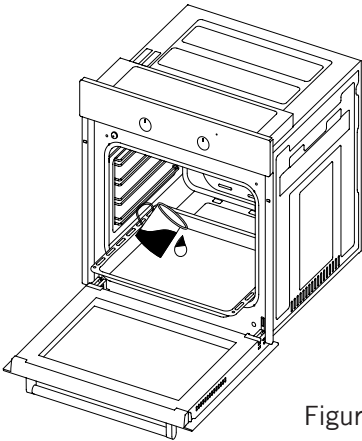


Figure 7

It enables cleaning the soils softened thanks to the steam to be generated in the oven.

1. Remove all the accessories in the oven.
2. Pour a half litre of water into the tray and Place the tray at the bottom of the boiler.
3. Set the switch to the steam cleaning mode.
4. Set the thermostat to 70 °C degrees and operate the oven for 30 minutes.

5. After operating the oven for 30 minutes, open the oven door and wipe the inner surfaces with a wet cloth.

6. Use dish-washing liquid, warm water and a soft cloth for stubborn dirt, then dry off the area you have just cleaned with a dry cloth.

## Cleaning And Mounting Oven Door

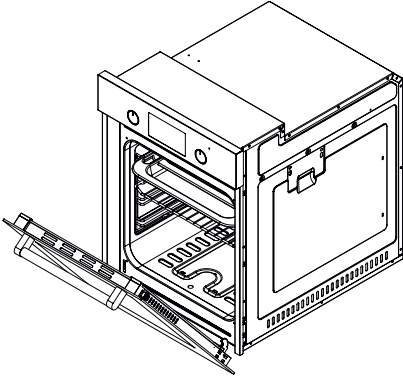


Figure 8

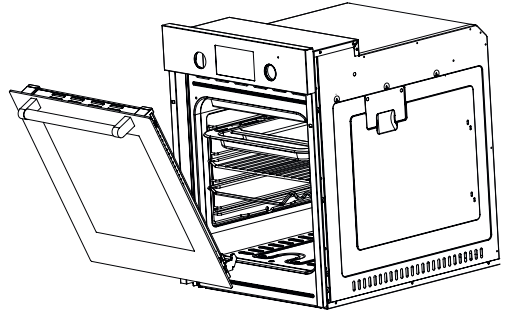


Figure 9

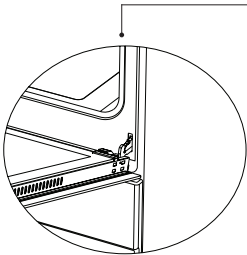


Figure 8.1

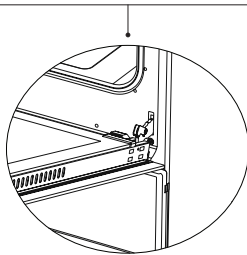


Figure 8.2

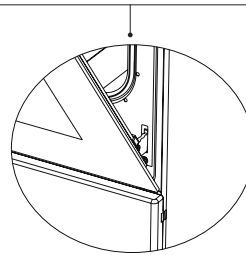


Figure 9.1

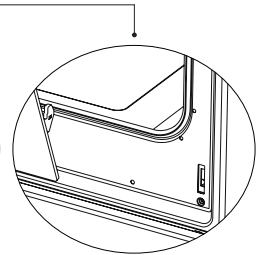


Figure 9.2

Open the door fully by pulling the oven door toward yourself. Then perform unlock operation by pulling the hinge lock upwards with the aid of screwdriver as indicated in **figure 8.1**.

Set the hinge lock to the widest angle as in **figure 8.2**. Adjust both hinges connecting oven door to the oven to the same position.

Later, close the opened oven door so that it will be in a position to contact with hinge lock as in **figure 9.1**.

For easier removal of oven door, when it comes close to closed position, hold the cover with two hands as in **figure 9.2** and pull upwards.

Reversely perform respectively what you did while opening door to reinstall oven door back.

## Cleaning Of The Oven Glass

Press the plastic latches on the left and right sides as shown in Figure 10 and lift the the profile by pulling it towards you as shown in Figure 11. Glass will be free after the profile is removed as shown in Figure 12. Carefully pull the glass that has become free toward you. If necessary, the middle glass can also be removed in the same way. The outer glass is fixed to the oven door profile. You may easily clean the glasses after they have been separated. Once the cleaning and maintenance is complete, you can replace the glasses and the profile by performing the removal procedure in reverse. Make sure that the glass is inserted in the correct direction and that the profile is seated properly.

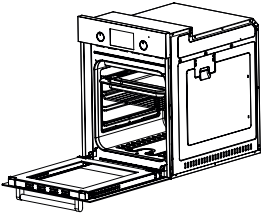


Figure 10

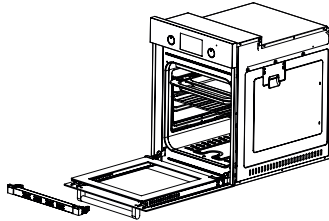


Figure 11

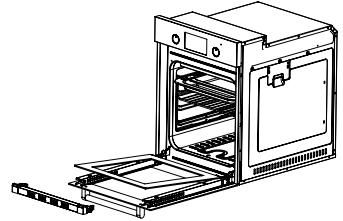


Figure 12

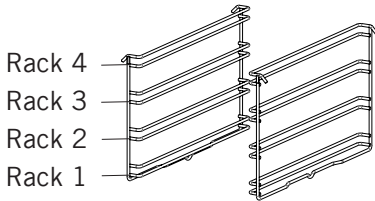
## Catalytic Panel \*

It is located behind the wire racks of the oven, at the right and left walls of oven cavity. Catalytic panel removes offensive odour and provides using your appliance at its best performance. Over time, oil and food odours permeate into enamelled oven walls and heating elements. Catalytic panel absorbs any food and oil odours, and burns them during cooking to clean your oven.

### Detaching catalytic panel

To remove catalytic panel; first remove the wire racks. Once wire racks are removed, catalytic panel will be free. It is advised to replace the catalytic panel once every 2-3 years.

### Rack Positions



It is important to place the wire grill into the oven properly. Do not allow wire rack to touch rear wall of the oven. Rack positions are shown in the next figure. You may place a deep tray or a standard tray in the lower and upper wire racks.

### Installing and removing wire racks

To remove wire racks, press the clips shown with arrows in the figure, first remove the lower, and then the upper side from installation location. To install wire racks; reverse the procedure for removing wire rack.

## Replacing Oven Lamp

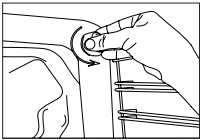
**WARNING:** To avoid electric shock, ensure that the appliance circuit is open before changing the lamp. (having circuit open means power is off) First disconnect the power of appliance and ensure that appliance is cold.

Remove the glass protection by turning as indicated in the figure on the left side. If you have difficulty in turning, then using plastic gloves will help you in turning.

Then remove the lamp by turning, install the new lamp with same specifications.

Reinstall glass protection, plug the power cable of appliance into electrical socket and complete replacement. Now you can use your oven.

### Type G9 Lamp



220-240 V, AC  
15-25 W

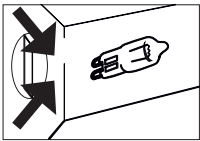
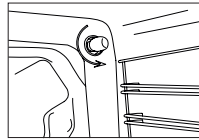


Figure 16

### Type E14 Lamp



220-240 V, AC  
15 W

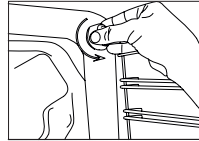


Figure 17

**WARNING:** This product contains a light source of energy efficiency class G.



## TROUBLESHOOTING

You may solve the problems you may encounter with your product by checking the following points before calling the technical service.

### Check Points

In case you experience a problem about the oven, first check the table below and try out the suggestions.

Problem	Possible Cause	What to Do
Oven does not operate.	Power supply not available.	Check for power supply.
Oven stops during cooking.	Plug comes out from the wall socket.	Re-install the plug into wall socket.
Turns off during cooking.	Too long continuous operation.	Let the oven cool down after long cooking cycles.
	Cooling fan not operating.	Listen the sound from the cooling fan.
	Oven not installed in a location with good ventilation.	Make sure clearances specified in operating instructions are maintained.
	More than one plugs in a wall socket.	Use only one plug for each wall socket.
Outer surface of the oven gets very hot during operation.	Oven not installed in a location with good ventilation.	Make sure clearances specified in operating instructions are maintained.
Oven door is not opening properly.	Food residues jammed between the door and internal cavity.	Clean the oven well and try to re-open the door.
Internal light is dim or does not operate.	Foreign object covering the lamp during cooking.	Clean internal surface of the oven and check again.
	Lamp might be failed.	Replace with a lamp with same specifications.
Electric shock when touching the oven.	No proper grounding.	Make sure power supply is grounded properly.
	Ungrounded wall socket is used.	

<b>Problem</b>	<b>Possible Cause</b>	<b>What to Do</b>
<b>Water dripping.</b>	Water or steam may generate under certain conditions depending on the food being cooked. This is not a fault of the appliance.	Let the oven cool down and then wipe dry with a cloth.
<b>Steam coming out from a crack on oven door.</b>		
<b>Water remaining inside the oven.</b>		
<b>The cooling fan continues to operate after cooking is finished.</b>	The fan operates for a certain period for ventilation of internal cavity of the oven.	This is not a fault of the appliance; therefore you don't have to worry.
<b>Oven does not heat.</b>	Oven door is open.	Close the door and restart.
	Oven controls not correctly adjusted.	Read the section regarding operation of the oven and reset the oven.
	Fuse tripped or circuit breaker turned off.	Replace the fuse or reset the circuit breaker. If this is repeating frequently, call an electrician.
<b>Smoke coming out during operation.</b>	When operating the oven for the first time.	Smoke comes out from the heaters. This is not a fault. After 2-3 cycles, there will be no more smoke.
	Food on heater.	Let the oven to cool down and clean food residues from the ground of the oven and surface of upper heater.
<b>When operating the oven burnt or plastic odour coming out.</b>	Plastic or other not heat resistant accessories are being used inside the oven.	At high temperatures, use suitable glassware accessories.
<b>Oven does not cook well.</b>	Oven door is opened frequently during cooking.	Do not open oven door frequently, if the food you are cooking does not require turning. If you open the door frequently internal temperature drops and therefore cooking result will be influenced.

## HANDLING RULES

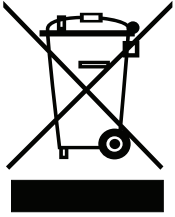
1. Do not use the door and/or handle to carry or move the appliance.
2. Carry out the movement and transportation in the original packaging.
3. Pay maximum attention to the appliance while loading/unloading and handling.
4. Make sure that the packaging is securely closed during handling and transportation.
5. Protect from external factors (such as humidity, water, etc.) that may damage the packaging.
6. Be careful not to damage the appliance due to bumps, crashes, drops, etc. while handling and transporting and not to break or deform it during operation.

## RECOMMENDATIONS FOR ENERGY SAVING

Following details will help you use your product ecologically and economically.

1. Use dark coloured and enamel containers that conduct the heat better in the oven.
2. As you cook your food, if the recipe or the user manual indicates that pre-heating is required, pre-heat the oven.
3. Do not open the oven door frequently while cooking.
4. Try not to cook multiple dishes simultaneously in the oven. You may cook at the same time by placing two cookers on the wire rack.
5. Cook multiple dishes successively. The oven will not lose heat.
6. Turn off the oven a few minutes before the expiration time of cooking. In this case, do not open the oven door.
7. Defrost the frozen food before cooking.

## ENVIRONMENTALLY-FRIENDLY DISPOSAL



Dispose of packaging in an environmentally-friendly manner.

This appliance is labelled in accordance with European Directive 2012/19/EU concerning used electrical and electronic appliances (waste electrical and electronic equipment - WEEE). The guideline determines the framework for the return and recycling of used appliances as applicable throughout to the EU.

## PACKAGE INFORMATION

Packaging materials of the product are manufactured from recyclable materials in accordance with our National Environment Regulations. Do not dispose of the packaging materials together with the domestic or other wastes. Take them to the packaging material collection points designated by the local authorities.

**Stimate client,**

Vă mulțumim pentru că vă bazați pe acest produs.

Scopul nostru este de a vă permite utilizarea optimă și eficientă a acestui produs prietenos cu mediul înconjurător fabricat în fabrici moderne sub condiții precise referitoare la sensul calității.

Înainte de utilizarea cuptorului, vă sfătuim să citiți acest manual de utilizare în întregime și să-l păstrați pentru mult timp astfel încât caracteristicile cuptorului încorporat pe care l-ați achiziționat să rămână la fel ca în prima zi.

**Rețineți:** Acest manual de utilizare este pregătit pentru multiple modele. Produsul dumneavoastră poate să nu conțină unele funcții specificate în manual.

Imaginile produsului sunt schematice.

Acest produs a fost fabricat în uzine moderne prietenoase cu mediul înconjurător fără a afecta natura.

Produsele marcate cu simbolul (\*) sunt opționale.

**”Este conform cu Reglementarea AEEE”**

## Conținut

Avertismente importante.....	39
Conexiune electrică.....	49
Introducerea aparatului.....	50
Accesorii.....	51
Specificații tehnice.....	52
Montarea produsului.....	52
Panou de control.....	58
Utilizarea cuptorului.....	60
Folosirea grătarului.....	61
Folosirea rotisorului pentru pui.....	61
Tipuri de program.....	62
Recomandări de gătire.....	63
Tabel de gătire.....	64
Întreținerea și curățarea.....	65
Curățarea cu ajutorul aburului.....	65
Curățarea și montarea ușii cuptorului.....	66
Curățarea sticlei cuptorului.....	67
Pereți catalitici.....	68
Poziții poliță.....	68
Înlocuirea lampei cuptorului.....	69
Depanare.....	70
Reguli de manipulare.....	72
Recomandări pentru economisirea energiei.....	72
Casare prietenoasă cu mediul.....	73
Informații asupra ambalajului.....	73

## AVERTISMENTE IMPORTANTE

1. Instalarea și repararea trebuie realizate întotdeauna de către un „**SERVICE AUTORIZAT**”. Producătorul nu va fi tras la răspundere pentru operațiunile efectuate de persoane neautorizate.

2. Vă rugăm să citiți cu atenție aceste instrucțiuni de utilizare. Numai astfel puteți utiliza aparatul în condiții de siguranță și în mod corect.

3. Cuptorul trebuie utilizat în conformitate cu instrucțiunile de utilizare.

4. Nu lăsați copiii sub vârsta de 8 ani și animalele de companie în apropierea acestuia atunci când este în funcțiune.

5. **Piesele accesibile pot fi fierbinți în timpul utilizării. Copiii mici nu trebuie lăsați să se apropie.**

6. **AVERTISMENT: Pericol de foc: nu depozitați obiecte pe suprafețele de gătit.**

7. **AVERTISMENT: Aparatul se încinge în timpul utilizării. Procedați cu grijă pentru a evita atingerea elementelor de încălzire din cuptor.**

8. Condițiile de setare ale acestui dispozitiv sunt specificate pe etichetă (sau pe plăcuța cu date de identificare).

9. Piesele accesibile pot fi fierbinți atunci când grătarul este în uz. Copiii mici nu trebuie lăsați să se apropie.

■ ■ ■ ■

**10. AVERTISMENT: Acest echipament a fost conceput pentru gătit. Nu trebuie folosit în alte scopuri, cum ar fi încălzirea unei încăperi.**

11. Pentru a curăța echipamentul, nu utilizați aparate de curățare cu vapori.

12. Asigurați-vă că ușa cuptorului este complet închisă după introducerea alimentelor în interiorul cuptorului.

13. Nu încercați NICIODATĂ să stingeți focul cu apă. Opriți numai circuitul dispozitivului și apoi acoperiți flacăra cu un capac sau o pătură ignifugă.

**14. AVERTISMENT: Nu permiteți copiilor cu vârsta sub 8 ani să utilizeze plita decât atunci când sunt în permanent supravegheați.**

15. Atingerea elementelor de încălzire trebuie evitată.

**16. ATENȚIE: Procesul de gătit va fi supravegheat. Procesul de gătit va fi întotdeauna supravegheat.**

17. Acest echipament poate fi utilizat de copii cu vârsta de peste 8 ani și persoane cu capacitate fizică, senzorială sau mentală redusă sau care nu au experiență și nu sunt familiarizate cu echipamentul dacă acestea sunt supravegheate sau li se oferă instrucțiuni privind utilizarea echipamentului într-o manieră sigură și înțeleg pericolele implicate. Copiii nu trebuie să se joace cu echipamentul. Curățarea și operațiunile de întreținere realizate de utilizator nu vor fi realizate de copii nesupravegheați.



**18.** Acest dispozitiv a fost conceput exclusiv pentru uz casnic.

**19.** Copiii nu trebuie să se joace cu aparatul. Curățarea sau întreținerea aparatului de către utilizator nu va fi efectuată de copii decât dacă au vârsta mai mare de 8 ani și sunt supravegheați de adulți.

**20.** Nu lăsați aparatul și cablul de alimentare la îndemâna copiilor cu vârsta sub 8 ani.

**21.** Îndepărtați perdelele, țesăturile, hârtia sau orice alte material inflamabile (care se pot aprinde) de aparat înainte de a începe utilizarea aparatului. Nu poziționați materiale care se pot aprinde sau inflamabile pe sau în aparat.

**22.** Mențineți canalele de ventilație deschise.

**23.** Aparatul nu este potrivit pentru a funcționa cu un sistem de control extern al timpului sau o telecomandă separată.

**24.** Nu încălziți conserve închise și borcane din sticlă. Presiunea poate duce la explodarea borcanelor.

**25.** Mânerul cuptorului nu este un uscător de prosoape. Nu atârnați prosoapele și alte obiecte de mânerul cuptorului.

**26.** Nu așezați tăvile cuptorului, plăci sau folii de aluminiu direct pe baza cuptorului. Căldura acumulată poate deteriora baza cuptorului.

**27.** În timp ce introduceți alimente în sau scoateți alimente din cuptor etc., folosiți întotdeauna mănuși de cuptor rezistente la căldură.

■ ■ ■ ■

**28.** Nu utilizați produsul dacă sunteți sub influența medicamentelor și/sau alcoolului care vă pot afecta judecata.

**29.** Aveți grijă la utilizarea alcoolului în mâncărurile dvs. Alcoolul se va evapora la temperaturi ridicate și poate să ia foc pentru a cauza un incendiu dacă intră în contact cu suprafețe fierbinți.

**30.** După fiecare utilizare, verificați dacă unitatea a fost oprită.

**31.** Dacă aparatul este defect sau prezintă o deteriorare vizibilă, nu folosiți aparatul.

**32.** Nu atingeți priza dacă aveți mâinile umede! Nu trageți de cablu când scoateți aparatul din priză, țineți întotdeauna de ștecher.

**33.** Nu folosiți aparatul cu geamul ușii din față demontat sau spart.

**34.** Puneți hârtia de copt împreună cu alimentele într-un cuptor care a fost încălzit în prealabil punându-le într-un accesoriu de aragaz sau de cuptor (tavă, grătar din sârmă etc.).

**35.** Nu puneți pe aparat obiecte la care pot să ajungă copiii.

**36.** Este important să așezați corect grătarul din sârmă și tava pe polițele de sârmă în mod corespunzător și/sau să poziționați tava pe poliță în mod corect. Așezați grătarul sau tava între două șine și asigurați-vă că este echilibrat înainte de a pune alimentele pe el.

**37.** Pentru a evita riscul de atingere a elementelor de încălzire ale cuptorului, îndepărtați excesele de pe hârtie de copt care atârnă din accesoriu sau din recipient.

**38.** Nu utilizați niciodată hârtia de copt la temperaturi mai ridicate decât temperatura maximă de utilizare indicată pe hârtia dvs. de copt. Nu puneți hârtia de copt pe baza cuptorului. Pentru a evita riscul de atingere a elementelor de încălzire ale cuptorului, îndepărtați excesele de pe hârtie de copt care atârnă din accesoriu sau din recipient.

**39.** Când ușa este deschisă, nu așezați niciun obiect greu pe ușă și nu permiteți copiilor să se așeze pe ea. Puteți determina răsturnarea cuptorului sau deteriorarea balamalelor ușii.

**40.** Materialele de ambalare pot fi periculoase pentru copii. Nu lăsați materialele de ambalare la îndemâna copiilor.

**41.** Nu utilizați agenți de curățare abrazivi sau răzuitoare metalice ascuțite pentru a curăța sticla deoarece zgârieturile care pot apărea pe suprafața geamului ușii pot provoca spargerea geamului.

**42.** Utilizatorul nu trebuie să manipuleze cuptorul pe cont propriu.

■ ■ ■ [REDACTED]

**43.** În timpul utilizării, suprafețele interioare și exterioare ale cuptorului se încălzesc. În momentul în care deschideți ușa cuptorului, dați-vă înapoi pentru a evita vaporii fierbinți care ies din interior. Există risc de arsură.

**44.** Nu așezați obiecte grele pe ușa cuptorului atunci când aceasta este deschisă, întrucât există riscul de răsturnare.

**45.** Utilizatorul nu trebuie să scoată din poziție rezistența în timpul curățării. Acest lucru poate provoca electrocutarea.

**46.** Sursa de alimentare a cuptorului poate fi deconectată în timpul oricărei lucrări de construcții din casă. După finalizarea lucrărilor, cuptorul va fi reconectat de către un service autorizat.

**47.** Pentru a preveni supraîncălzirea, aparatul nu trebuie instalat în spatele unui panou decorativ.

**48.** Opriți aparatul înainte de a elimina dispozitivele de siguranță. După curățare, instalați dispozitivele de siguranță conform instrucțiunilor.

**49.** Punctul de fixare al cablului trebuie protejat.

**50.** Vă rugăm să nu gătiți alimentele direct pe tavă/grătar. Introduceți alimentele în sau pe accesoriile corespunzătoare înainte de a le așeza în cuptor.

## Siguranța electrică

1. Conectați aparatul la o priză cu împământare protejată de o siguranță fuzibilă corespunzătoare valorilor specificate în diagrama specificațiilor tehnice.

2. Solicitați intervenția unui electrician autorizat pentru instalarea împământării pentru echipament. Societatea noastră nu va fi responsabilă pentru daunele care au loc ca urmare a utilizării produsului fără împământare în conformitate cu reglementările locale.

3. Întrerupătoarele principale ale circuitului de la cuptor trebuie poziționate astfel încât utilizatorul final să poată ajunge la acestea atunci când este instalat cuptorul.

4. Cablul de alimentare cu curent (cablul cu ștecher) nu trebuie să intre în contact cu părțile fierbinți ale aparatului.

5. În cazul în care cablul de alimentare (cablul cu ștecher) este deteriorat, acest cablu trebuie înlocuit de către producător sau de agentul de service al acestuia sau de un personal la fel de competent pentru a preveni o situație periculoasă.

6. Nu spălați niciodată aparatul pulverizând sau turnând apă pe acesta! Există risc de electrocutare.

**7. AVERTISMENT: Pentru a evita electrocutarea, asigurați-vă că circuitul dispozitivului este deschis înainte de a înlocui becul.**

**8. AVERTISMENT: Întrerupeți conectarea la circuitul de alimentare înainte de a accesa terminalele.**

**9.** Nu folosiți cabluri tăiate sau deteriorate sau cabluri prelungitoare, altele decât cablul original.

**10.** Asigurați-vă că nu există lichid sau umiditate în priza în care este introdus ștecherul produsului.

**11.** Și suprafața din spate a cuptorului se încălzește atunci când cuptorul este în funcțiune. Conexiunile electrice nu trebuie să atingă suprafața din spate, în caz contrar conexiunile pot fi deteriorate.

**12.** Nu strângeți cablurile de conectare de ușa cuptorului și nu le direcționați peste suprafețe fierbinți. Dacă se topește cablul, acest lucru poate duce la scurtcircuitarea cuptorului și chiar la un incendiu.

**13.** Scoateți unitatea din priză în timpul instalării, întreținerii, curățării și reparării.

**14.** În cazul în care cablul de alimentare electrică este deteriorat, acesta trebuie înlocuit de producător, reprezentantul de service tehnic sau personal cu calificări similare pentru a evita orice pericol.

**15.** Asigurați-vă că ștecherul este introdus ferm în priza de perete pentru a evita scânteile.

**16.** Nu folosiți aparate de curățat cu vapori pentru curățarea aparatului, în caz contrar poate avea loc electrocutarea.

**17.** Pentru instalare este necesar un întrerupător omnipolar care poate deconecta sursa de alimentare. Deconectarea de la sursa de alimentare trebuie să fie asigurată cu un întrerupător sau o siguranță fuzibilă integrată instalată pe sursa de alimentare fixă în conformitate cu codul clădirii.

**18.** Aparatul este echipat cu un cablu **de tip „Y”**.

**19.** Conexiunile fixe vor fi conectate la o sursă de alimentare care să permită deconectarea omnipolară. Pentru aparatele cu o categorie de supra-tensiune mai mică de III, dispozitivul de deconectare va fi conectat la sursa de alimentare fixă în conformitate cu codul de cablare.

## **Domeniu de utilizare**

**1.** Acest produs a fost conceput pentru uz casnic. Utilizarea comercială a aparatului nu este permisă.

**2.** Acest aparat poate fi utilizat numai cu scopul de a găti. Acesta nu va fi folosit în alte scopuri, cum ar fi încălzirea unei încăperi.

**3.** Acest aparat nu va fi folosit pentru a încălzi plăcile d sub grătar, pentru a usca hainele sau prosoapele agățându-le de mâner sau în scopuri de încălzire.

**4.** Producătorul nu își asumă răspunderea pentru orice deteriorare cauzată de utilizare sau manipulare incorectă.

**5.** Partea de cuptor a unității poate fi folosită pentru dezghețarea, coacerea, prăjirea și frigerea produselor alimentare.

**6.** Durata de funcționare a produsului pe care l-ați achiziționat este de 10 ani. Aceasta este perioada pe parcursul căreia piesele de schimb necesare pentru funcționarea acestui produs, astfel cum sunt definite, sunt furnizate de producător.



## Conexiune Electrică

Acest cuptor trebuie să fie montat și conectat corect în locul lui conform instrucțiunilor producătorului de către un service autorizat.

Produsul trebuie să fie montat într-o incintă furnizându-i o ventilație ridicată.

Conexiunile electrice ale produsului trebuie să fie efectuate doar prin intermediul prizelor ce au prevăzut un sistem de împământare conform reglementărilor. Contactați un electrician autorizat dacă nu există prize ce sunt conforme cu sistemul de împământare. Compania produsului nu va fi responsabilă de avarierea rezultată din conexiunea produsului la prize fără împământare.

Ștecherul cuptorului trebuie să fie dotat cu împământare; asigurați-vă că priza pentru ștecher este cu împământare. Ștecherul trebuie să fie localizat într-un loc unde poate fi accesibil după montaj.

Cuptorul dumneavoastră a fost fabricat la 220-240 V 50/60 Hz. Tensiunea de alimentare este conformă și necesită o siguranță de 16 Ampi. Dacă rețeaua electrică este diferită de aceste valori indicate, consultați electricianul sau service-ul autorizat.

În momentul când dumneavoastră trebuie să înlocuiți siguranța electrică, vă rugăm să vă asigurați că conexiunea electrică este efectuată după cum urmează:

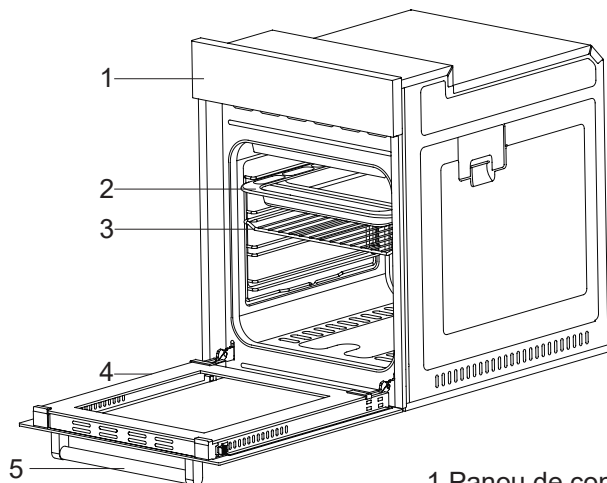
- Fază (la terminalul aflat sub tensiune) cablu maro
- Cablu albastru la terminalul neutru
- Cablul galben-verde la terminalul de împământare

În momentul când cuptorul se află montat în spațiul său, comutatoarele de deconectare a cuptorului trebuie să fie poziționate într-un loc accesibil pentru utilizatorul final.

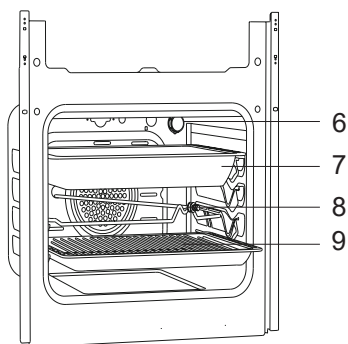
Cablul de alimentare (ștecherul din cablu) nu trebuie să atingă componentele fierbinți ale produsului.

Dacă cablul de alimentare (ștecherul din cablu) este avariât, acest cablu trebuie să fie înlocuit de către importator sau de către agentul său de service sau de către un personal competent pentru a preveni o situație periculoasă.

## INTRODUCEREA APARATULUI



1. Panou de control
2. Tavă standard
3. Grătar în tavă
4. Ușă cuptor
5. Mâner



6. Lampă
7. Tavă adâncă \*
8. Frigăruie pentru prăjirea puiului \*
9. Grătar în tavă \*

## Accesorii (opțional)



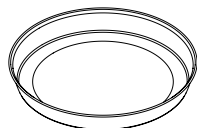
### Tavă adâncă \*

Utilizat pentru patiserie, prăjiri, alimente pe bază de apă. De asemenea, poate fi utilizată ca recipient de colectare al uleiului dacă dumenavoastră prăjiți direct tortul, alimentele congelate și rețetele pe bază de carne.



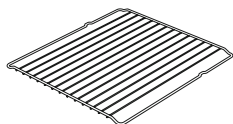
### Tavă / Tavă sticlă \*

Utilizat pentru patiserie (prăjituri, biscuit etc.), alimente congelate.



### Tavă rotund \*

Utilizat pentru patiserie alimente congelate.



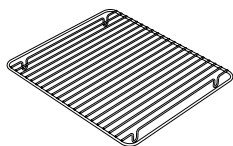
### Grătar

Utilizat pentru prăjirea sau plasarea alimentelor care urmează a fi coapte, prăjite și congelate în grătarul dorit.



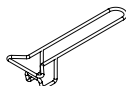
### Șină telescopică \*

Tăvile și grătarele pot fi scoate și montate ușor datorită șinelor telescopice.



### Grătar în tavă \*

Alimentele se prind în timp ce se gătesc cum ar fi friptura este plasată în grătarul din tavă. Astfel, contactul dintre aliment cu tavă și prindere este revenit.



### Mâner pentru tavă \*

Se folosește pentru a ține tăvile fierbinți.

## Specificații Tehnice

Specificații	Cuptor incorporat de 45 de cm
Putere lampă	15-25 W
Termostat	40-240 / Max °C
Arzător inferior	1000 W
Arzător superior	800 W
Arzător turbo	1800 W
Arzător grill	1500 W
Tensiune de alimentare	220V-240V 50/60 Hz

Pentru îmbunătățirea calității produsului, specificațiile tehnice pot fi modificate fără notificări.

Valorile furnizate împreună cu produsul sau documentele însoțitoare reprezintă citiri de laborator conform standardelor respective. Aceste valori pot diferi depinzând de utilizare și condițiile ambientale.

Imaginile din acest manual sunt schematice și nu se pot potrivi corect cu produsul dumneavoastră.

### MONTAREA PRODUSULUI

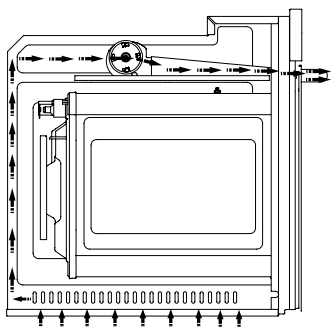
Asigurați-vă că conexiunea electrică este corespunzătoare pentru a fi utilizată împreună cu produsul. Dacă nu este corespunzătoare, apălați la un electrician sau un instalator pentru a efectua aranjamentele necesare. Compania producătoare nu poate fi responsabilă pentru defecțiunile care survin datorită utilizării de către persoane neautorizate, iar garanția produsului devine nulă.

**AVERTISMENT:** Pregătirea locației produsului unde aparatul va fi montat și de asemenea conexiunea electrică a aparatului îi revine în sarcina clienților.

**AVERTISMENT:** În timpul montării produsului, regulile referitoare la standardele electrice locale trebuie să fie respectate.

**AVERTISMENT:** Înainte de montarea produsului, verificați dacă produsul prezintă avarii. Dacă este avariata, nu montați aparatul. Produsele avariate prezintă un pericol la siguranța dumneavoastră.

## Avertismente importante pentru montare:



Ilustrația 1

În timpul funcționării cuptorului, ventilatorul de răcire va aspira o cantitate suplimentară de abur și va preveni supraîncălzirea suprafețelor exterioare ale produsului. Aceasta reprezintă o condiție necesară pentru o funcționare și gătire mai bună a produsului. După ce gătitul s-a finalizat, ventilatorul de răcire va continua să funcționeze. Ventilatorul se va opri automat după ce răcirea este finalizată. Pentru o funcționare eficientă și bună, o distanță minimă trebuie să fie lăsată în spatele aparatului.

Această distanță nu trebuie să fie ignorată și este necesară pentru ca sistemul de ventilație al produsului să funcționeze.

### Locul corect pentru montare

Produsul a fost proiectat pentru a fi montat pe blaturi achiziționate din magazin. Între produs și pereții bucătăriei sau mobilă trebuie să fie lăsată o distanță sigură. Pentru distanțele corecte, vezi schița furnizată pe următoarea pagină. (valori în mm)

- Suprafețele utilizate, laminatele sintetice și adezivii trebuie să fie materiale ignifuge. (minimum 100 °C)
- Dulapurile de bucătărie trebuie să fie la nivel cu produsul și securizate.
- Dacă există un sertar sub cuptor, între acesta și cuptor trebuie să fie montat un grătar.

**AVERTISMENT:** Nu montați produsul lângă frigider sau congelatoare. Căldura emisă de către produs crește consumul de energie al dispozitivelor de răcire.

**AVERTISMENT:** Pentru transportul sau mutarea produsului, nu utilizați ușa și/sau mânerul acestuia.

## **Instalarea și montajul cuptor încorporat de 45 de cm**

Înainte de începerea montajului, locul de montare al produsului trebuie să fie localizat.

Produsul nu trebuie să fie montat în locuri unde există un curent de aer puternic.

Transportul produsului trebuie să fie efectuat minimum de către două persoane. Pentru ca produsul să nu avarieze pardoseala, nu-l trageți.

Scoateți toate materialele de transport din interiorul și exteriorul produsului. Scoateți toate materialele și documentele din produs.

### **Montarea sub blat**

Spațiul trebuie să se potrivească cu dimensiunile furnizate în figura 2.

O distanță trebuie să fie furnizată în partea din spate a spațiului după cum este indicat în figură pentru ca ventilația necesară să fie efectuată.

După montare, distanța dintre partea inferioară și superioară a blatului este indicată în figura 5 cu litera "A". Scopul acesteia este pentru ventilație și nu trebuie acoperită.

### **Montajul într-un dulap suspendat**

Spațiul trebuie să se potrivească cu dimensiunile furnizate în figura 4.

Distanțele indicate în figura respectivă trebuie să fie furnizate în spatele spațiului, secțiunile superioare și inferioare pentru ca ventilația necesară să fie efectuată.

### **Cerințe de montaj**

Dimensiunile produsului sunt furnizate în figura 3.

Suprafețele mobilei pentru montaj și materialele de montaj care urmează a fi utilizate trebuie să aibă o rezistență termică minimă de 100 °C.

Spațiul de montare trebuie să fie securizat, iar suprafața inferioară a acestuia trebuie să fie plană pentru ca produsul să nu se dezechilibreze.

Suprafața inferioară a spațiului trebuie să aibă o rezistență minimă pentru a suporta o sarcină de 60 kg.

### **Amplasarea și securizarea cuptorului**

Plasați cuptorul în spațiul respectiv cu ajutorul a două sau mai multor persoane.

Asigurați-vă că cadrul cuptorului și marginea frontală a mobilei se potrivesc uniform.

Cablul de alimentare nu trebuie să fie sub cuptor, prins între cuptor și mobilă sau îndoit.

Fixați cuptorul în mobilă utilizând șuruburile furnizate împreună cu produsul.

Șuruburile trebuie să fie montate după cum este prezentat în figura 5 prin trecerea acestora prin dibluri prinse pe cadrul produsului. Șuruburile nu trebuie să fie strânse prea tare. În caz contrar, diblurile se vor roade.

După montare, verificați dacă cuptorul nu se mișcă. Dacă cuptorul nu este montat conform instrucțiunilor, există un risc de basculare în timpul funcționării.

### Conexiune electrică

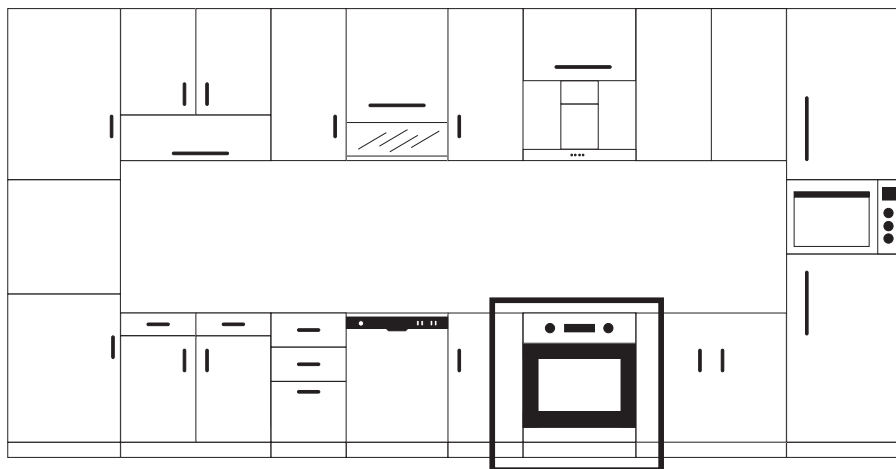
Spațiul de montare al produsului trebuie să fie prevăzut cu montaj electric corespunzător.

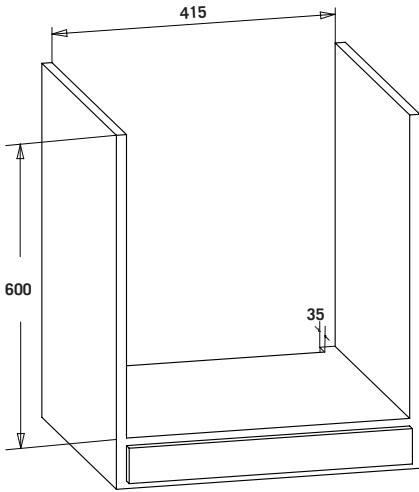
Tensiunea rețelei trebuie să fie compatibilă cu valorile furnizate pe eticheta produsului.

Conexiunea produsului trebuie să fie efectuată conform cerințelor electrice locale și naționale.

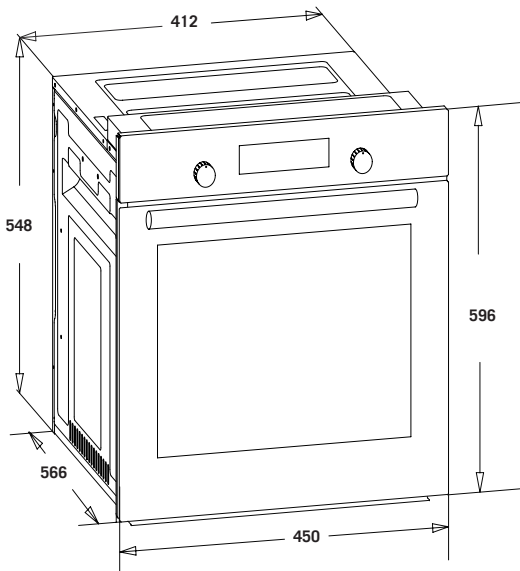
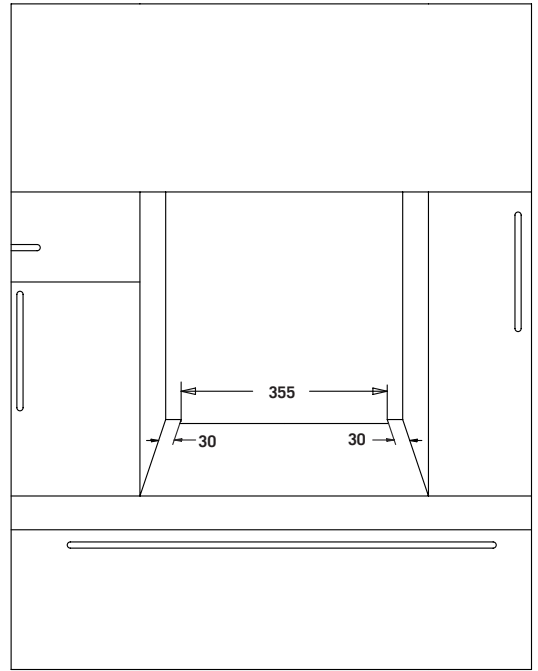
Înainte de pornirea montajului, deconectați rețeaua electrică. Nu conectați cablul la rețea până când montajul nu este finalizat.

### Montarea



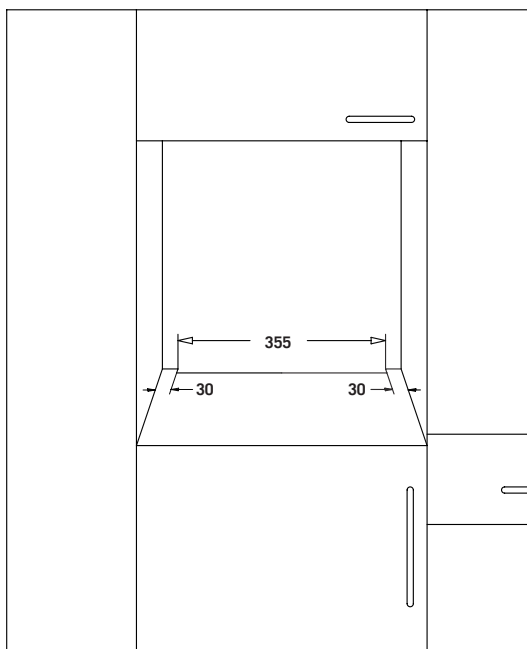
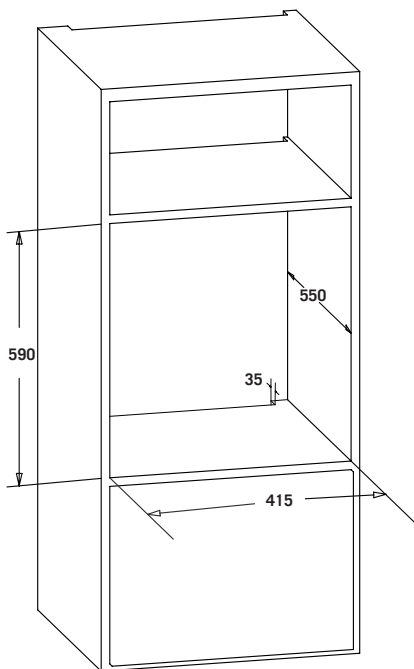
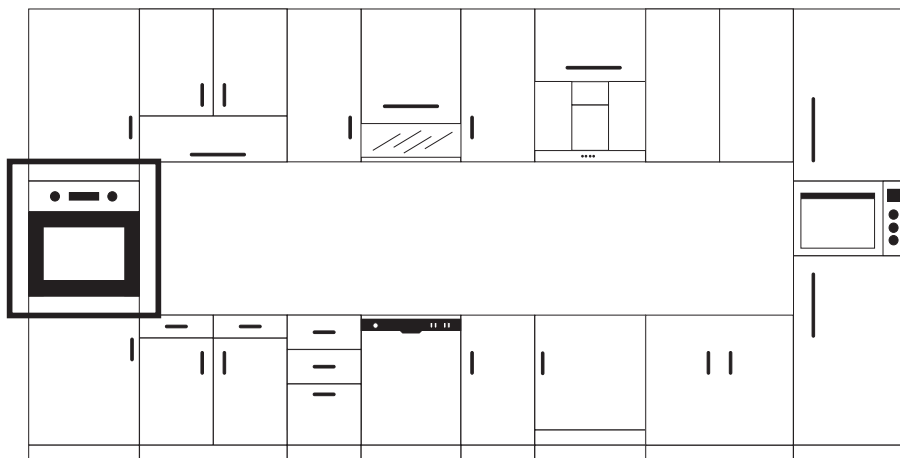


Ilustrația 2

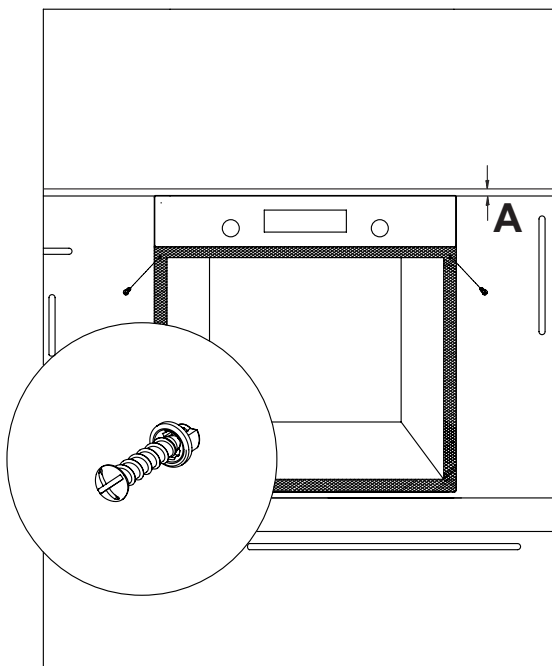


Ilustrația 3



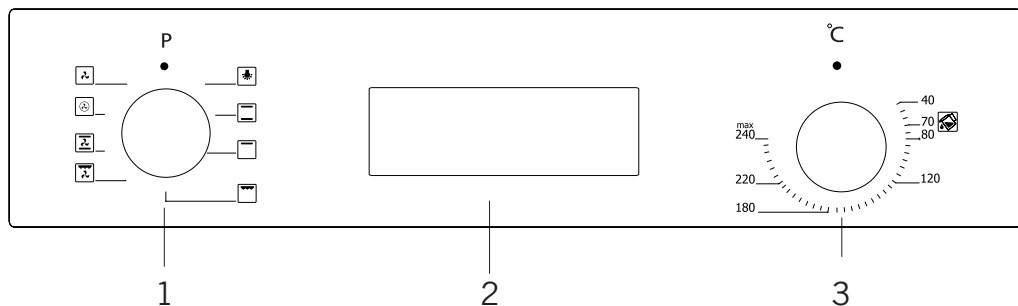


Ilustrația 3



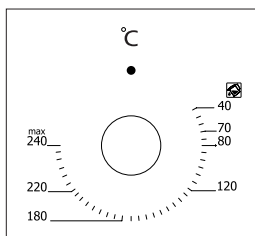
Ilustrația 5

**PANOU DE CONTROL**

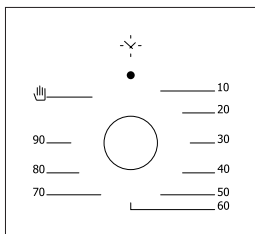


1. Buton funcțional
2. Temporizator mecanic sau digital
3. Termostat

**AVERTISMENT:** Panoul de control de mai sus este doar în scopuri ilustrative. Luați în considerare panoul de control de pe dispozitivul dvs.



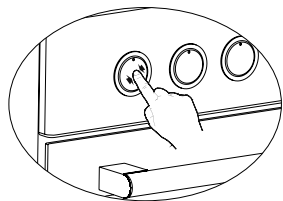
**Buton termostat:** Vă ajută să setați temperatura de gătire a alimentelor care urmează a fi gătită în cuptor. După ce ați plasat alimentele în cuptor, dumneavoastră puteți seta temperatura dorită prin rotirea butonului. Verificați tabelul de gătire în legătură cu temperaturile de gătire ale diferitelor alimente.



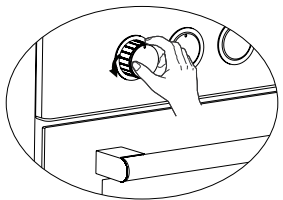
**Buton cronometru mecanic \*:** Vă ajută să setați cronometrul pentru alimentele care urmează a fi gătite în cuptor. Cronometrul de-energizează arzătoarele în momentul când timpul setat expiră și vă avertizează prin emiterea unui sunet. Vezi tabelul de gătire pentru timpii de gătire.

### Folosirea Butonului De Tip Pop-Up \*

Reglarea poate fi efectuată doar atunci când butonul este ieșit afară pentru modele cu buton declanșator.



Asigurați-vă că butonul este ieșit prin apăsarea butonului după cum este prezentat în figura din partea stângă.



Dumneavoastră puteți efectua reglările necesare prin rotirea spre dreapta sau spre stânga în momentul când butonul este ieșit destul.

## UTILIZAREA CUPTORULUI

### Utilizare inițială a cuptorului

Aici găsiți lucrurile ce trebuie să le faceți inițial în timpul primei utilizări ale cuptorului după efectuarea conexiunilor necesare conform instrucțiunilor:

1. Scoateți etichetele și accesoriile plasate în interiorul cuptorului. Dacă sunt, îndepărtați folia protectoare de pe partea frontală a produsului.

2. Scoateți praful și reziduurile ambalajului prin curățarea părții interioare a cuptorului cu un material textil umed. Partea interioară a cuptorului trebuie să fie goală. Conectați cablul produsului la priza electrică.

3. Setează butonul termostatului la cea mai ridicată temperatură (240 Max. °C) și utilizați cuptorului timp de 30 de minute cu ușa acestuia închisă. Între timp, o cantitate mică de fum și miros poate apărea dar acesta reprezintă o situație normală.

4. După ce produsul se răcește, ștergeți partea interioară a cuptorului cu apă caldă și detergent și apoi uscați partea interioară cu un material textil curat. Acum, dumneavoastră puteți utiliza cuptorul.

### Utilizare normală a cuptorului

1. Pentru a porni gătitul, reglați butonul termostatului și temperatura la care doriți să gătiți alimentele.

2. Dumneavoastră puteți seta timpul de gătit la orice setare utilizând butonul la modelele cu cronometru mecanic. Cronometrul va de-energiza arzătoarele în momentul când timpul expiră și furnizează un beep de avertisment atunci când sună.

3. Cronometrul oprește arzătoarele și furnizează un semnal audibil în momentul când timpul de gătit se finalizează împreună cu informația introdusă în modelele prevăzute cu cronometru digital.

4. Sistemul de răcire al produsului va continua să funcționeze după ce gătitul este finalizat. În astfel de situații, nu opriți alimentarea produsului deoarece aceasta este necesară pentru răcirea cuptorului. Sistemul se va opri după ce răcirea este finalizată.

## Folosirea Grătarului

1. Când așezați grătarul pe polița superioară, alimentele de pe grătar nu trebuie să atingă grătarul.
2. Puteți preîncălzi timp de 5 minute în timp ce folosiți grătarul. Dacă este necesar, puteți întoarce alimentele cu susul în jos.
3. Alimentele trebuie să se afle pe centrul grătarului pentru a asigura un debit maxim de aer prin cuptor.

### Pentru a porni grătarul;

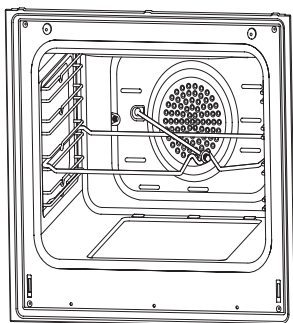
1. Poziționați butonul de funcție pe simbolul care ilustrează grătarul.
2. Apoi, setați-l la temperatura dorită pentru grătar.

### Pentru a opri grătarul;

Setați butonul de funcție în poziția „off”. (oprit)

**AVERTISMENT:** Mențineți ușa cuptorului închisă în timpul folosirii grătarului.

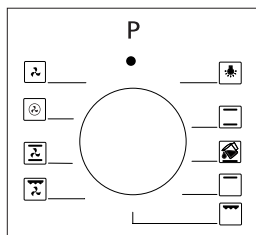
## Folosirea Rotisorului Pentru Pui \*



Ilustrația 6

Plasați frigăruia pe cadru. Glisați cadrul cu frigăruile în cuptor la nivelul dorit. Plasați o tavă de grăsime în partea inferioară pentru capturarea grăsimii. Pentru o curățare ușoară, adăugați o cantitate mică de apă în tava de grăsime. Nu uitați să scoateți componenta din plastic de pe frigărui. După prăjire, înșurubați mânerul din plastic pe frigărui și scoateți alimentele din cuptor.

## TIPURI DE PROGRAM



**Buton program:** Vă ajută să setați ce arzătoare vor funcționa în momentul când alimentele vor fi introduse în cuptor. Tipurile de program ale arzătorului în acest buton și funcțiile acestora sunt prezentate mai jos. Fiecare model s-ar putea să nu aibă toate tipurile de arzător și de aceea și tipurile de program pentru acest program.

Tipurile de programe de încălzire din produsului dumneavoastră și explicațiile importante sunt furnizate mai jos pentru a găti diferite alimente pe gustul dumneavoastră.

	Elemente de încălzire inferioară și superioară		Ventilator
	Element de încălzire inferior și ventilator		Arzător turbo și ventilator
	Grill și prăjire pui		Element de încălzire inferior-superior și ventilator
	Element de încălzire superior și ventilator:		Grill și ventilator
	Element de încălzire inferior		Grill
	Element de încălzire superior		Curățare cu ajutorul aburului

**Element de încălzire inferior:** Selectați acest program aproape de finalizarea timpului de gătire dacă partea inferioară a alimentului gătit va fi prăjit.

**Element de încălzire superior:** Utilizat pentru post încălzire sau prăjirea micilor cantități de alimente.

**Elemente de încălzire inferioare și superioare:** Un program care poate fi utilizat pentru gătitul alimentelor cum ar fi: tort, pizza, biscuiți și prăjituri.

**Element de încălzire inferior și ventilator:** Utilizat mai mult pentru gătitul alimentelor cum ar fi tortul de fructe.

**Element de încălzire inferior și superior și ventilator:** Acest program este potrivit pentru gătitul alimentelor cum ar fi torturi, prăjituri, lasagnia. Potrivit pentru gătitul rețetelor din carne.

**Grill:** Arzătorul de grill este utilizat pentru prăjirea cărnii cum ar fi cârnați, friptură și pește. În timpul prăjirii, o tava cu apă trebuie să fie plasată în grătarul inferior.

**Încălzitor turbo și ventilator:** Potrivit pentru coacere și prăjire. Mențineți scăzută setarea de căldură decât programul "Arzător inferior și superior" deoarece căldura este propagată imediat prin intermediul curentului de aer.

**Grill și ventilator:** Potrivit pentru gătitul alimentelor din carne. Nu uitați să plasați o tavă de gătit pe grătarul inferior și o cantitate mică de apă.

### RECOMANDĂRI DE GĂTIRE

Dumneavoastră puteți găsi în tabelul următor, informații despre tipurile de alimente pe care noi le-am testat și am identificat valorile lor de gătit în laboratoarele noastre. Timpii de gătit pot varia depinzând de tensiunea rețelei, calitatea alimentului care urmează a fi gătit, cantitate și temperatură. Rețetele pentru a fi gătit prin utilizarea acestor valori nu se pot potrivi cu gustul dumneavoastră. Dumneavoastră puteți seta valori variate pentru obținerea diferitelor gusturi și rezultatelor ce se potrivesc cu gustul dumneavoastră.

**AVERTISMENT:** Înainte de plasarea alimentelor în el, cuptorul trebuie să fie preîncălzit timp de 7-10 minute.

## Tabel De Gătire

Aliment	Gătire funcție	Temperatura (°C)	Grătar de gătire	Gătire timp (min)
Tort	Static / Static+ventilator	170-180	2-3	35-45
Torturi mic	Static / Turbo+ventilator	170-180	2	25-30
Prăjitură	Static / Static+ventilator	180-200	2	35-45
Patiserie	Static	180-190	2	20-25
Prăjituri	Static	170-180	2	20-25
Plăcintă cu mere	Static / Static+ventilator	180-190	1	50-70
Pandișpan	Static	200/150 *	2	20-25
Pizza	Static+ventilator	180-200	3	20-30
Lasagnia	Static	180-200	2-3	25-40
Meringue	Static	100	2	50
Pui prăjit **	Grill+ventilator	200-220	3	25-35
Pește prăjit **	Grill+ventilator	200-220	3	25-35
Friptură de vițel **	Grill+ventilator	Max	4	15-20
Ciftele prăjite **	Grill+ventilator	Max	4	20-25

\* Nu preîncălziți Prima jumătate a timpului de gătire este recomandată să fie la o temperatură de 200 °C în timp ce cealaltă jumătate trebuie să fie la 150 °C.

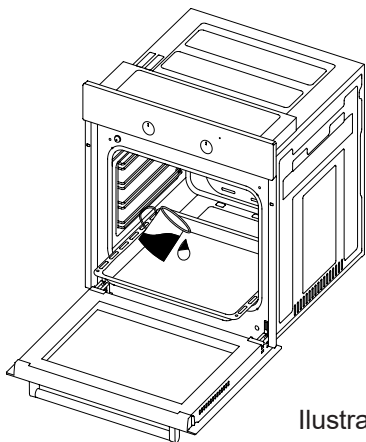
\*\* Alimentele trebuie să fie rotite după jumătate din timpul de gătire.



## CURĂȚAREA ȘI ÎNTREȚINEREA

1. Scoateți ștecherul de alimentare din priza electrică.
2. Nu curățați componentele interioare, panoul, tăvile și celelalte părți ale produsului cu instrumente dure cum ar fi perie aspră, burete de sârmă sau cuțit. Nu utilizați materiale abrazive, de rițuire sau detergent.
3. Ștergeți componentele interioare ale produsului cu material textil cu detergent, și apoi uscați în întregime utilizând un material textil moale.
4. Curățați suprafețele de sticlă cu material special de curățare a sticlei.
5. Nu curățați produsul dumneavoastră utilizând aspiratoare cu abur.
6. În timpul curățării produsului dumneavoastră, nu utilizați niciodată substanțe combustibile cum ar fi acid, diluant și benzină.
7. Nu spălați componentele produsului în mașina de spălat vase.
8. Pentru murdărire și pete, utilizați sterat de potasiu. (săpun moale)

### Curățarea Cu Ajutorul Aburului \*

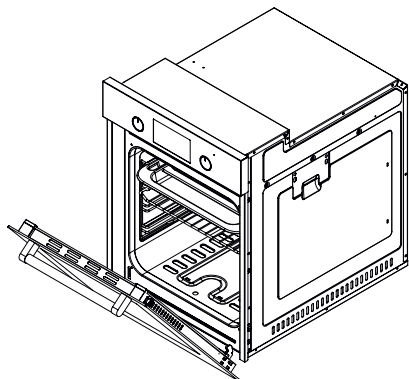


Ilustrația 7

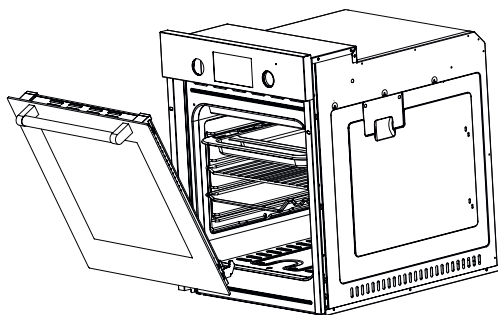
Acesta permite curățarea depozitelor datorită aburului care urmează a fi generat în cuptor.

1. Scoateți toate accesoriile din cuptor.
2. Turnați o jumătate de litru de apă în tavă și plasați tava în partea inferioară a boilerului.
3. Setați comutatorul către modul de curățare cu ajutorul aburului.
4. Setați termostatul la 70 °C și utilizați cuptorul timp de 30 de minute.
5. După utilizarea cuptorului timp de 30 de minute, deschideți ușa cuptorului și ștergeți suprafețele interioare cu un material textil moale.
6. Utilizați lichid de vase, apă caldă și material textil moale pentru murdăria încăpățânată, apoi uscați zona pe care ați curățat-o cu un material textil moale.

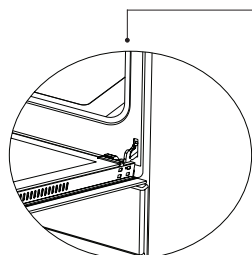
## Curățarea Și Montarea Ușii Cuptorului



Ilustrația 8

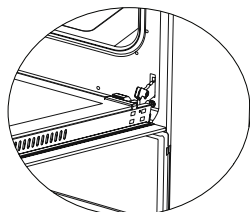


Ilustrația 9



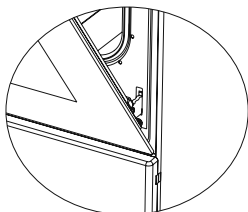
Ilustrația 8.1

Deschideți complet ușa prin tragerea acesteia către dumneavoastră. Apoi, efectuați operațiunea de deblocare prin tragerea în sus a balamalei cu ajutorul unei șurubelnițe după cum este indicat în **ilustrația 8.1**.



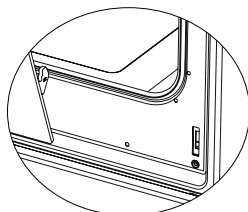
Ilustrația 8.2

Setați balamaua la cel mai mare unghi după cum este specificat în **ilustrația 8.2**. Reglați ambele balamale ale ușii cuptorului în aceeași poziție.



Ilustrația 9.1

Mai târziu, închideți ușa deschisă a cuptorului pentru ca să vină în contact cu balamaua după cum este specificată în **ilustrația 9.1**.



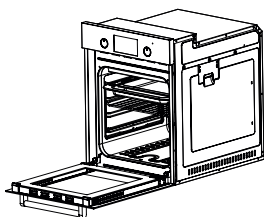
Ilustrația 9.2

Pentru o scoatere mai ușoară a ușii cuptorului, în momentul când aceasta vine în poziția închisă, țineți protecția cu ambele mâini după cum este specificat în **ilustrația 9.2** și trageți către dumneavoastră.

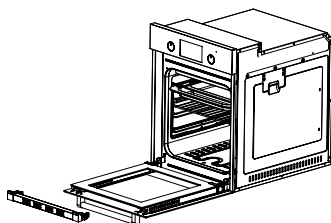
Pentru remontarea ușii cuptorului, efectuați în revers mișcările pe care le-ați efectuat în timp ce deschideți ușa.

## Curățarea Geamului Cuptorului

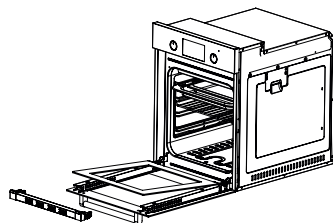
Apăsați pe închizătoarele din plastic de pe partea stângă și dreaptă, așa cum este ilustrat în Ilustrația 10 și ridicați cadrul trăgând spre dvs., așa cum este ilustrat în Ilustrația 11. După îndepărtarea cadrului, geamul este eliberat așa cum este ilustrat în Ilustrația 12. Trageți cu atenție spre dvs. geamul eliberat. Dacă este necesar, sticla de mijloc poate fi îndepărtată în același mod. Geamul exterior este fixat de cadrul ușii cuptorului. Puteți curăța cu ușurință geamurile după ce au fost separate. După finalizarea curățării și întreținerii, puteți înlocui geamurile și cadrul efectuând procedura de demontare în sens invers. Asigurați-vă că geamul este introdus în direcția corectă și cadrul este așezat corect.



Ilustrația 10



Ilustrația 11



Ilustrația 12

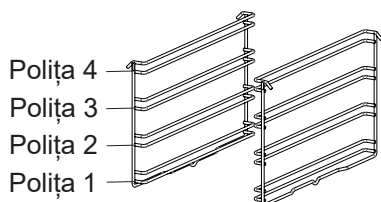
## Pereții Catalitici \*

Pereții catalitici sunt localizați în partea stângă și dreaptă a cavității sub ghidaje. Pereții catalitici îndepărtează mirosurile urâte și obțin cea mai bună performanță din cuptor. De asemenea, pereții catalitici absorb reziduurile de ulei și curăță cuptorul în timpul funcționării.

### Scoaterea pereților catalitici

Pentru a scoate pereții catalitici, ghidajele trebuie să fie scoase. După ce ghidajele sunt scoase, pereții catalitici vor fi eliberați automat. Pereții catalitici trebuie să fie schimbați la fiecare 2-3 ani.

### Poziții Poliță



Este important să așezați grătarul din sârmă în mod corespunzător în cuptor. Nu permiteți poliței de sârmă să atingă peretele din spate al cuptorului. Pozițiile poliței sunt prezentate în figura următoare. Puteți poziționa o tavă adâncă sau o tavă standard pe polița de sârmă inferior și superior.

### Instalarea și demontarea poitelor de sârmă

Pentru a scoate polițele de sârmă, apăsați clemele ilustrate cu săgețile din figură, scoateți mai întâi partea inferioară și apoi partea superioară din locul de instalare. Pentru a instala polițele de sârmă; inversați procedura de înlăturare a poliței de sârmă.

## Înlocuirea Lămpii Cuptorului

**AVERTISMENT:** Pentru evitarea șocului electric, asigurați-vă că circuitul produsului este deschis înainte de schimbarea lampei. (circuitul deschis înseamnă că alimentarea este oprită)

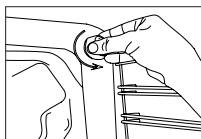
Prima dată deconectați alimentarea produsului și asigurați-vă că produsul este rece.

Scoateți protecția sticlei prin rotirea acesteia așa cum este indicat în figura prezentă în partea stângă. Dacă aveți dificultăți în rotirea protecției sticlei, utilizarea mănușilor de plastic vă va ajuta în rotire.

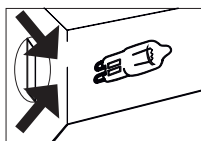
Apoi scoateți lampa prin rotirea acesteia, montați noua lampă având aceleași specificații. Specificațiile lămpii trebuie să fie la fel după cum urmează;

Remontați protecția sticlei, conectați cablul de alimentare al produsului în priză și finalizați înlocuirea. Acum, dumneavoastră puteți utiliza cuptorul.

### Bec tip G9



220-240 V, AC  
15-25 W



Ilustrația 16

### Bec tip E14



220-240 V, AC  
15 W



Ilustrația 17

**AVERTISMENT:** Acest produs conține o sursă de lumină eficientă de clasa G.

## DEPANARE

Puteți rezolva problemele pe care le puteți întâmpina cu produsul dvs., verificând următoarele puncte înainte de a apela la serviciul tehnic.

### Puncte de verificare

În cazul în care întâmpinați o problemă cu cuptorul, verificați mai întâi tabelul de mai jos și încercați sugestiile.

Problema	Cauză posibilă	Ce să faceți
În cazul în care cuptorul nu funcționează.	Sursă de alimentare cu curent indisponibilă.	Verificați alimentarea cu curent.
Cuptorul se oprește în timpul gătitului.	Ștecherul iese din priză de perete.	Reinstalați ștecherul în priză de perete.
Se oprește în timpul gătitului.	Funcționare continuă prea lungă.	Lăsați cuptorul să se răcească după cicluri de gătit lungi.
	Ventilatorul de răcire nu funcționează.	Ascultați sunetul de la ventilatorul de răcire.
	Cuptorul nu este instalat într-un loc cu ventilație bună.	Asigurați-vă că spațiile specificate în instrucțiunile de funcționare sunt respectate.
	Mai multe ștechere într-o priză de perete.	Folosiți un singur ștecher pentru fiecare priză de perete.
Suprafața exterioară a cuptorului se încinge foarte mult în timpul funcționării.	Cuptorul nu este instalat într-un loc cu ventilație bună.	Asigurați-vă că spațiile specificate în instrucțiunile de funcționare sunt respectate.
Ușa cuptorului nu se deschide în mod corespunzător.	Reziduuri de alimente s-au blocat între ușă și cavitatea interioară.	Curățați bine cuptorul și încercați să redeschideți ușa.
Becul intern este slab sau nu funcționează.	Un obiect străin acoperă becul în timpul gătitului.	Curățați suprafața interioară a cuptorului și verificați din nou.
	E posibil ca becul să fie defect.	Înlocuiți-l cu un bec cu aceleași specificații.
Electrocutare la atingerea cuptorului.	Împământare necorespunzătoare.	Asigurați-vă că sursa de alimentare este împământată bine.
	Este utilizată o priză de perete fără împământare.	

Problema	Cauză posibilă	Ce să faceți
<b>Curge apă.</b>	Apa sau aburul se pot genera în anumite condiții, în funcție de alimentele care sunt gătite. Acest lucru nu reprezintă o defecțiune a aparatului.	Lăsați cuptorul să se răcească și apoi ștergeți cu o cârpă pentru uscare.
<b>Iese abur dintr-o fisură pe ușa cuptorului.</b>		
<b>Rămâne apă în interiorul cuptorului.</b>		
<b>Ventilatorul de răcire va continua să funcționeze după încheierea gătirii.</b>	Ventilatorul funcționează pentru o perioadă anume pentru ventilația cavității interne a cuptorului.	Nu este un defect al aparatului; astfel, nu trebuie să vă faceți griji.
<b>Cuptorul nu se încălzește.</b>	Ușa cuptorului este deschisă.	Închideți ușa și reporniți-l.
	Comenzile cuptorului nu sunt redate corect.	Citiți secțiunea privind utilizarea cuptorului și resetați cuptorul.
	Șiguranță fuzibilă declanșată sau întrerupător de circuit închis.	Înlocuiți șiguranța fuzibilă sau resetați întrerupătorul. Dacă acest lucru se repetă în mod frecvent, apelați la un electrician.
<b>Iese fum în timpul funcționării.</b>	Când folosiți cuptorul pentru prima dată.	Iese fum din încălzitoare. Acesta nu este un defect. După 2-3 cicluri, nu va mai ieși fum.
	Sunt alimente pe încălzitor.	Lăsați cuptorul să se răcească și curățați reziduurile de alimente de pe fundul cuptorului și suprafața încălzitorului superior.
<b>Atunci când funcționează cuptorul, iese miros de ars sau plastic.</b>	Se folosesc accesorii din plastic sau din alt material care nu este rezistent la căldură în cuptor.	La temperaturi mari, folosiți accesorii de sticlă adecvate.
<b>Cuptorul nu gătește bine.</b>	Ușa cuptorului este deschisă frecvent în timpul gătirii.	Nu deschideți ușa cuptorului în mod frecvent dacă mâncarea pe care o gătiți nu necesită rotire. Dacă deschideți ușa în mod frecvent, temperatura internă scade și, prin urmare, rezultatul gătirii va fi influențat.

## **REGULI DE MANIPULARE**

1. Nu utilizați ușa și/sau mânerul pentru a transporta sau a deplasa aparatul.
2. Efectuați deplasarea și transportul în ambalajul original.
3. Acordați atenție maximă aparatului în timpul încărcării/descărcării și manipulării.
4. Asigurați-vă că ambalajul este bine închis în timpul manipulării și transportului.
5. Protejați-l de factori externi (precum umiditate, apă, etc.) care pot cauza avaria ambalajului.
6. Aveți grijă să nu avariați aparatul în urma loviturilor, căderilor, scăpărilor, etc. în timpul manipulării și transportării și nu-l spargeți în timpul funcționării.

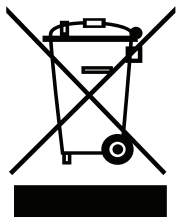
## **RECOMANDĂRI PENTRU ECONOMISIREA ENERGIEI**

Urmărirea detaliilor vă va ajuta să utilizați produsul în mod ecologic și economic.

1. Utilizați recipiente de culori închise sau emailate care conduc mai bine căldura în cuptor.
2. Pe măsură ce gătiți mâncarea, dacă rețeta sau manualul de utilizare indică faptul că este necesară preîncălzirea, preîncălziți cuptorul.
3. Nu deschideți ușa cuptorului în mod frecvent în timpul gătitului.
4. Încercați să nu gătiți mai multe feluri de mâncare în mod simultan în cuptor. Puteți găti în același timp dacă puneți două oale pe polița de sârmă.
5. Gătiți mai multe feluri de mâncare în mod succesiv. Cuptorul nu va pierde căldură.
6. Opriți cuptorul câteva minute înainte de expirarea timpului de gătire. În acest caz, nu deschideți ușa cuptorului.
7. Dezghețați alimentele congelate înainte de gătire.



## CASARE PRIETENOASĂ CU MEDIUL



Aruncați ambalajul într-un mod prietenos cu mediul. Acest aparat este etichetat conform Directivei Europene 2012/19/EU referitoare la aparatele electrice și electronice (deșeurile echipamente electrice și electronice - DEEE). Directiva determină cadrul pentru returnarea și reciclarea aparatelor uzate aplicabilă în toată Uniunea Europeană.

## INFORMAȚII ASUPRA AMBALAJULUI

Materialele de ambalare a produsului sunt fabricate din materiale reciclabile în conformitate cu Reglementările naționale privind mediul. Nu eliminați materialele de ambalare împreună cu deșeurile menajere sau alte deșeurile. Predați-le la punctele de colectare a ambalajelor desemnate de autoritățile locale.

## Уважаеми клиенти,

Благодарим Ви, че предпочетохте този продукт.

Нашата цел е да Ви дадем възможност да използвате оптимално и ефективно този екологично чист продукт, произведен от нашите модерни съоръжения при точно определени условия по отношение на общия смисъл за качество.

Съветваме Ви, преди да използвате фурната за вграждане, да прочетете внимателно това ръководство за работа, и да поддържате фурната в такъв вид, че нейните характеристики да се запазят такива, както когато сте я закупили, и дълго време да Ви служи по оптимално ефективен начин.

**Забележка:** Ръководството за работа се отнася за много модели. Вашият уред може да не поддържа някои от функциите, описани в ръководството.

Изображенията на продукта са схематични.

Този продукт е произведен в модерни екосъобразни съоръжения, които не замърсяват околната среда.

Продуктите, маркирани с (\*) са по желание.

**„В съответствие с Директивата на Европейския съюз (ЕС) за отпадъци от електрическо и електронно оборудване (ОЕЕО)“**

## Съдържание

Важни предупреждения.....	76
Свързване към електрическата мрежа.....	86
Представяне на уреда.....	87
Акcesoари.....	88
Технически спецификации.....	89
Монтаж на уреда.....	90
Контролен панел.....	95
Употреба на фурната.....	97
Използване на грила.....	98
Печене на пиле.....	98
Видове програми.....	99
Препоръки за готвене.....	100
Таблица за готвене.....	101
Поддръжка и почистване.....	102
Почистване с пара.....	102
Почистване и монтаж на вратата на фурната.....	103
Почистване стъклото на фурната.....	104
Каталитични стени.....	105
Позиции на скарата.....	105
Смяна на крушката на фурната.....	106
Отстраняване на проблеми.....	107
Правила за боравене.....	109
Препоръки за пестене на електроенергия.....	109
Екологично изхвърляне.....	110
Информация за опаковката.....	110

## ВАЖНИ ПРЕДУПРЕЖДЕНИЯ

1. Монтажът и ремонтът винаги трябва да се извършват от **“ОТОРИЗИРАН СЕРВИЗЕН ПЕРСОНАЛ”**. Производителят не носи отговорност за операции, извършвани от неоторизирани лица.

2. Моля, прочетете внимателно тези инструкции за експлоатация. Само по този начин можете да използвате уреда безопасно и по правилен начин.

3. Печката трябва да се използва в съответствие с инструкциите за експлоатация.

4. Дръжте децата на възраст под 8 години и домашните любимци далеч, когато печката работи.

5. Достъпните части могат да се нагорещят по време на употреба. Малките деца трябва да бъдат държани настрана.

**6. ПРЕДУПРЕЖДЕНИЕ: Опасност от пожар: не съхранявайте нищо върху повърхностите за готвене.**

**7. ПРЕДУПРЕЖДЕНИЕ: Уредът се нагорещява по време на употреба. Избягвайте докосването на нагревателните елементи вътре във фурната.**

8. Условиата за настройка на този уред са посочени на етикета. (или на фабричната табелка)

9. Достъпните части може да са горещи по време на използване на грила. Малките деца трябва да се държат далеч.

**10. ПРЕДУПРЕЖДЕНИЕ:** Уредът е предназначен само за готвене. Не трябва да се използва за други цели, като отопление на помещенията.

11. За да почистите уреда, не използвайте пароструйки.

12. Уверете се, че вратата на фурната е напълно затворена след поставяне на храна във фурната.

13. НИКОГА не се опитвайте да загасите огъня с вода. Изключете само веригата на устройството и след това покрийте пламъка с капак или огнеупорно одеало.

**14. ПРЕДУПРЕЖДЕНИЕ:** Децата под 8 годишна възраст трябва да се държат далеч, ако не могат да бъдат под непрекъснат надзор.

15. Докосването на отоплителните елементи трябва да се избягва.

**16. ВНИМАНИЕ:** Процесът на готвене трябва да се наблюдава. Процесът на готвене трябва винаги да се наблюдава.

17. Този уред може да се използва от деца над 8 годишна възраст, хора с физически, слухови или умствени затруднения, както и от хора с липса на опит или познания, ако е осигурен контрол или им е предоставена информация относно опасностите. Децата не трябва да си играят с уреда. Почистването и поддръжката не трябва да се извършват от деца, оставени без надзор.

**18.** Това уред е предназначен само за домашно ползване.

**19.** Децата не трябва да си играят с уреда. Почистване или поддръжка на уреда не трябва да се извършват от деца, освен ако те са на възраст над 8 години и се наблюдават от възрастни.

**20.** Пазете уреда и хранващия кабел далеч от деца на възраст под 8 години.

**21.** Поставете завесите, тюла, хартията или другите запалими (възпламеними) материали навън, преди да започнете да използвате уреда. Не поставяйте запалими или възпламеними материали върху или в уреда.

**22.** Дръжте вентилационните канали отворени.

**23.** Уредът не е подходящ за използване с външен таймер или отделна система за дистанционно управление.

**24.** Не загрявайте затворените кутии и стъклени буркани. Налягането може да доведе до експлозия на буркани.

**25.** Дръжката на фурната не е сушилня за кърпи. Не дръжте кърпи и т.н. на дръжката на фурната.

**26.** Не поставяйте тавите, плочите или алуминиевите фолия директно върху основата на фурната. Натрупаната топлина може да повреди основата на фурната.

**27.** Докато поставяте храна или изваждате храна от фурната и т.н., винаги използвайте устойчиви на топлина ръкавици за фурна.

**28.** Не използвайте продукта под медикаментозно въздействие и/или под влияние на алкохол, което може да повлияе на способността Ви на преценка.

**29.** Бъдете внимателни, когато използвате алкохол в храните. Алкохолът ще се изпари при високи температури и може да се запали, да предизвика пожар, ако влезе в контакт с горещи повърхности.

**30.** След всяка употреба проверявайте дали уредът е изключен.

**31.** Ако уредът е повреден или има видими повреди, не работете с уреда.

**32.** Не пипайте щепсела с мокри ръце. Не дърпайте кабела, а винаги дръжте щепсела.

**33.** Не използвайте уреда с отстранено или счупено стъкло на предната врата.

**34.** Поставете хартията за печене заедно с храната в предварително загрята фурна, като я поставите в готварска печка или върху аксесоар за фурната (табла, телена скара и др.).

**35.** Не поставяйте предмети върху уреда.

**36.** Важно е правилно да поставите телената скара и таблата върху стените и / или правилно да поставите таблата върху стойката. Поставете решетката или таблата между две релси и се уверете, че е балансирана, преди да я поставите на храна.

**37.** За предотвратяване на риска от допир на елементите на нагревателя на фурната, отстранете излишните части от хартията за печене, които висят от аксесоара или контейнера.

**38.** Никога не я използвайте при по-високи температури на фурната, отколкото максималната температура на използване, указана на хартията за печене. Не поставяйте хартията за печене върху основата на фурната. За предотвратяване на риска от допир на елементите на нагревателя на фурната, отстранете излишните части от хартията за печене, които висят от аксесоара или контейнера.

**39.** Когато вратата е отворена, не поставяйте тежки предмети върху вратата и не позволявайте на децата да седят на нея. Възможно е фурната да се обърне или пантите на вратата да се повредят.

**40.** Опаковъчните материали са опасни за деца. Съхранявайте опаковките далеч от достъпа на деца.

**41.** Не използвайте абразивни почистващи препарати или остри метални скрепери за почистване на стъклото, тъй като драскотините, които могат да се появят на повърхността на стъклото на вратичката, може да предизвикат счупване на стъклото.

**42.** Потребителят не трябва да се справя сам с фурната.



**43.** По време на употреба вътрешната и външната повърхност на фурната се нагорещават. Когато отваряте вратата на фурната, върнете се назад, за да избегнете излизането на горещата пара от вътрешността. Има риск от изгаряне.

**44.** Не поставяйте тежки предмети, когато вратата на фурната е отворена, има опасност от преобръщане.

**45.** Потребителят не трябва да изменя съпротивлението по време на почистването. Това може да доведе до токов удар.

**46.** Доставка на фурната може да бъде прекъсната по време на всякакви строителни работи въщи. След приключване на работата повторно свързване на печката трябва да се извърши от оторизирани сервизни техници.

**47.** За да се избегне прегряване, уредът не трябва да се монтира зад декоративно покритие.

**48.** Изключете уреда преди да извадите предпазните устройства. След почистване, монтирайте предпазните устройства според инструкциите.

**49.** Точката за фиксиране на кабела трябва да бъде защитена.

**50.** Моля, не гответе храната директно върху таблата / решетката. Моля, поставете храната в или върху подходящите инструменти, преди да ги поставите във фурната.

## Електрическа безопасност

1. Включете уреда в заземен контакт, защитен с предпазител, отговарящ на стойностите, посочени в диаграмата на техническите спецификации.

2. Имате упълномощено електротехническо оборудване за заземяване. Нашата компания не носи отговорност за щетите, които ще възникнат поради използването на продукта без заземяване съгласно местните разпоредби.

3. Превключвателите на на фурната трябва да бъдат поставени така, че крайният потребител да може да ги достигне при инсталирането на фурната.

4. Захранващият кабел (кабелът със запушалка) не трябва да контактува с горещите части на уреда.

5. Ако захранващият кабел (кабелът с щепсел) е повреден, този кабел трябва да бъде заменен от производителя или неговия сервизен агент или от квалифициран персонал, който да предотврати опасна ситуация.

6. Никога не мийте уреда чрез пръскане или обливане с вода върху него! Съществува риск от електрически удар.

**7. ПРЕДУПРЕЖДЕНИЕ: За да избегнете електрически удар, уверете се, че веригата на устройството е отворена, преди да смените лампата.**

**8. ПРЕДУПРЕЖДЕНИЕ: Прекъснете всички връзки на захранващия кръг, преди да получите достъп до клемите.**

**9.** Не използвайте нарязани или повредени кабели или удължителни кабели, различни от оригиналния кабел.

**10.** Уверете се, че в изхода, където е инсталиран щепселът за продукта, няма течност или влажност.

**11.** Задната повърхност на фурната също се нагрива при работа на фурната. Електрическите връзки не трябва да докосват задната повърхност, в противен случай връзките могат да се повредят.

**12.** Не затягайте свързващите кабели към вратата на фурната и не ги задействайте върху горещи повърхности. Ако кабелът се стопи, това може да доведе до късо съединение и дори до пожар.

**13.** Изключвайте уреда по време на монтаж, поддръжка, почистване и ремонт.

**14.** Ако кабелът на захранващия кабел е повреден, той трябва да бъде заменен от неговия производител или упълномощени от него сервизни техници или друг персонал, квалифициран на същото ниво, за да се избегне всяка опасна ситуация.

**15.** Уверете се, че щепселът е вкаран здраво в контакта, за да избегнете искри.

**16.** Не използвайте парни почистващи препарати за почистване на уреда, в противен случай може да се появи електрически удар.

**17.** За монтажа е необходим универсален превключвател, който може да изключи захранването. Прекъсването от захранването трябва да бъде снабдено с ключ или интегриран предпазител, монтиран на фиксирано захранване съгласно кода на сградата.

**18.** Уредът е снабден с кабел тип “Y”.

**19.** Фиксираните връзки трябва да бъдат свързани към захранващо напрежение, позволяващо универсално изключване. За уреди с категория на напрежение под III, устройството за разединяване трябва да бъде свързано с фиксирано захранване съгласно кода на окабеляването.

## Употреба по предназначение

1. Този уред е предназначен за домашна употреба. Търговска употреба на уреда не е разрешена.
2. Този уред може да се използва само за готвене. Не трябва да се използва за други цели, като отопление на помещенията.
3. Този уред не трябва да се използва за загряване на плочи под грила, сушене на дрехи или кърпи, като ги окача на дръжката или за отопление.
4. Производителят не поема никаква отговорност за повреди, причинени от неправилна употреба или неправилно боравене.
5. Частта от фурната може да се използва за размразяване, печене, пържене и печене на храна.
6. Оперативният живот на закупения продукт е 10 години. Това е периодът, за който производителят е предоставил резервните части, необходими за функционирането на този продукт, както е дефинирано.

## Свързване към електрическата мрежа

Тази фурна трябва да се монтира и свърже правилно на мястото си в съответствие с инструкциите на производителя и от упълномощен сервиз.

Уредът трябва да се монтира в клетка за фурната, предлагаща високо ниво на вентилация.

Свързването на уреда към електрическата мрежа трябва да се извърши само през заземен контакт в съответствие с изискванията. Ако на мястото, на което ще поставяте уреда, не разполагате с контакт, отговарящ на изискванията за заземяване, свържете се с упълномощен електротехник. Фирмата производител не носи отговорност за повреди, в резултат на свързване чрез незаземени контакти.

Щепселът на фурната трябва да бъде заземен; уверете се, че контактът за щепсела е заземен. Щепселът трябва да бъде поставен на място, което ще е достъпно след монтажа.

Вашата фурна е произведена с параметри 220-240 V 50/60 Hz. Захранването с електричество изисква 16 амперов предпазител.

Ако вашата електрическа мрежа има различни от посочените стойности, обърнете се към електротехник или към упълномощен сервиз.

Когато трябва да се замени електрически предпазител, моля, уверете се, че свързването към електрическата мрежа се извършва, както следва:

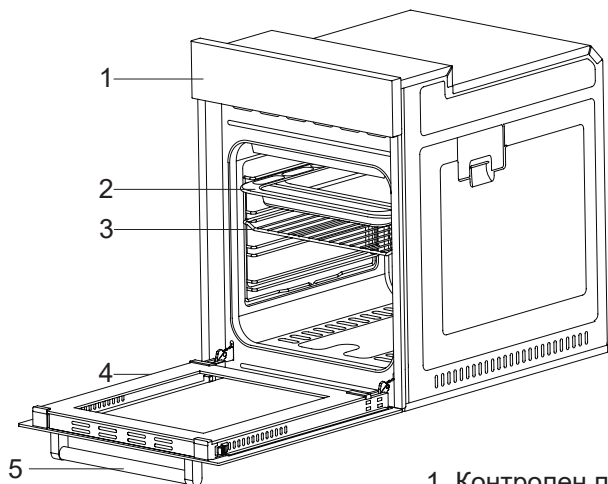
- Фаза (към терминал с напрежение) кафяв кабел
- Синия кабел към неутралния терминал
- Жълто-зеления кабел към терминала за земно

Когато фурната е поставена на мястото си, ключовете за изключване на фурната трябва да са на достъпно за крайния потребител място.

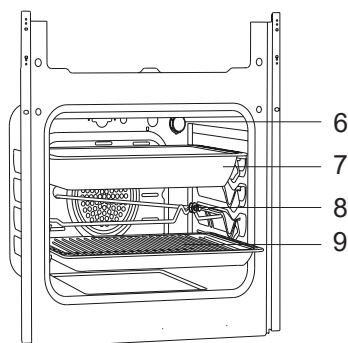
Захранващият кабел (кабел с щепсел) не трябва да се докосва до горещите части на уреда.

Ако захранващият кабел (кабел с щепсел) е повреден, за да се предотврати опасна ситуация, този кабел трябва да бъде подменен от вносителя или неговия сервизен агент или от квалифициран специалист.

## ПРЕДСТАВЯНЕ НА УРЕДА

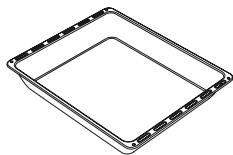


1. Контролен панел
2. Стандартна тава
3. Тава на грила
4. Врата на фурната
5. Дръжка



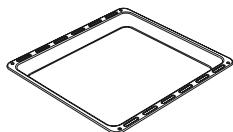
6. Лампа
7. Дълбока тава \*
8. Шиш за печене на пиле \*
9. Тава на грила \*

## АКСЕСОАРИ (По желание)



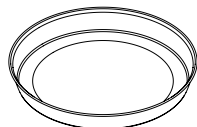
### Дълбока тава \*

Използва се за сладкиши, дълбоко пържени храни и задушени рецепти. В случай на пържене директно върху скарата за торти, замразени храни и месни ястия, то може да се използва в тавичката за събиране на масло.



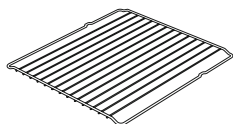
### Тава / Стъкло тава \*

Използва се за сладкиши (бисквити, бисквити и др.) и замразени храни.



### Кръг тава \*

Използва се за сладкиши и замразени храни.



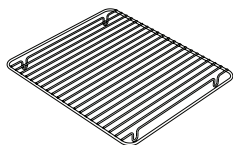
### Решетка

Използва се за пържене и / или поставяне на храната за печене, пържи на желаното ниво.



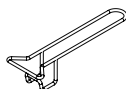
### Телескопична релса \*

С помощта на телескопични релси тавите и/или телената полица могат лесно да се поставят и отстраняват.



### Телена решетка \*

Храни, които могат да се залепят по време на готвене, като говеждо месо, се поставят в табла. Така се предотвратява контактът и залепването на храната.



### Дръжка на тавата \*

Използва се горещи тави.



## Технически Спецификации

Спецификации	45 cm фурна за вграждане
Захранване на лампата	15-25 W
Термостат	40-240 / Max °C
Долен нагревател	1000 W
Горен нагревател	800 W
Турбо нагревател	1800 W
Нагревател за грила	1500 W
Захранващо напрежение	220V-240V 50/60 Hz

За подобряване на качеството на уреда, техническите спецификации могат да бъдат променени без предварително известие.

Стойностите, предоставени с уреда или придружаващите го документи са лабораторни измервания в съответствие със съответните стандарти. Тези стойности могат да варират в зависимост от модела.

Фигурите в това ръководство са схематични и може да не отговарят напълно на вашия уред.

### МОНТАЖ НА УРЕДА

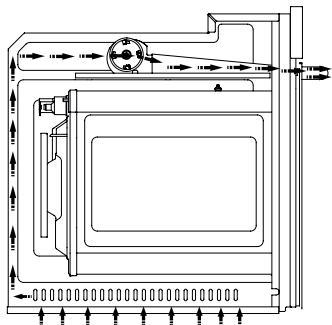
Уверете се, че електрическата инсталация е подходяща за операционализиране на уреда. Ако не е подходяща, обърнете се към електротехник и водопроводчик, за да се вземат необходимите мерки. Фирмата производител няма да поеме отговорност за повреди, настъпили вследствие дейности на неупълномощени лица и гаранцията на уреда няма да бъде валидна.

**ПРЕДУПРЕЖДЕНИЕ:** Отговорност на клиента е да подготви мястото, на което ще бъде монтиран уред и освен това да подsigури цялостното захранване.

**ПРЕДУПРЕЖДЕНИЕ:** По време на монтажа на уреда, трябва да се вземат предвид местните електрически стандарти.

**ПРЕДУПРЕЖДЕНИЕ:** Преди монтажа на уреда, проверете за повреди по него. Ако уредът е повреден, не го монтирайте. Повредените уреди носят риск за вашата безопасност.

## Важни предупреждения за монтаж:



Фигура 1

Докато фурната работи, охлаждащият вентилатор трябва да изкарва допълнителната пара навън и да предпазва външните повърхности на уреда от прегряване. Това е необходимо условие за по-добра работа на уреда и за по-добро готвене.

Охлаждащият вентилатор трябва да продължи да работи след като готвенето е завършило. Вентилаторът автоматично ще спре след като охлаждането е завършило.

За ефективна и ефикасна работа, трябва да се остави разстояние между заграждението и мястото, където ще поставите уреда. Това разстояние не трябва да се игнорира, тъй като се изисква за работата на вентилационната система.

### Точното място за монтаж

Продуктът е проектиран за монтаж върху плотове, предлагащи се на пазара. Между уреда и стените на кухнята или мебелите, трябва да се остави безопасно разстояние. Относно подходящото разстояние, вижте рисунката, предоставена на следващата страница (стойностите са в мм).

- Използваните повърхности, изкуствените ламинати и лепила трябва да са устойчиви на топлина. (минимум 100 °C)
- Кухненски шкафове трябва да са на нивото на уреда и да са обезопасени.
- Ако под фурната има чекмедже, между фурната и чекмеджето трябва да се постави шкаф.

**ПРЕДУПРЕЖДЕНИЕ:** Не монтирайте уреда до хладилници или охладителни системи. Топлината, излъчвана от уреда, може да увеличи консумацията на електроенергия на охлаждащия уред.

**ПРЕДУПРЕЖДЕНИЕ:** Не използвайте вратата и/или дръжката, за да носите или да местите уреда.

## **45 cm фурна за вграждане, инсталация и монтаж**

Преди да започнете с монтажа, трябва да се избере мястото за поставяне на уреда.

Уредът не трябва да се поставя на места, които са под въздействието на силен въздушен поток.

Носенето на уреда да се извърша от най-малко двама човека. Не дърпайте уреда, за да не повредите пода.

Извадете отвътре и отвън всички материали за транспортиране на продукта. Извадете от продукта всички материали и документи.

### **Инсталация под плот (в шкаф)**

Размерите на клетката трябва да съвпадат с тези, предоставени на фигура 2.

За да се постигне необходимата вентилация, от задната част на клетката трябва да се остави разстояние, както е показано на фигурата.

Разстоянието между долната и горната част на плота (шкаф), след монтажа, е показано на фиг. 5, „А“. То е предназначено за вентилация и не трябва да се покрива.

### **Монтаж в шкаф на височина**

Размерите на клетката трябва да съвпадат с тези, предоставени на фигура 4.

За да се постигне необходимата вентилация, от задната част на клетката трябва да се остави разстояние отгоре и отдолу, както е показано на фигурата.

### **Изисквания за монтаж**

Размерите на уреда са дадени на фиг. 3.

Повърхностите на мебелите и материалите за монтаж трябва да бъдат устойчиви на минимална температура от 100 °С.

Клетката за монтаж трябва да бъде обезопасена и долната и част трябва да бъде нивелирана и равна, за да не се накланя уреда.

Долната част на шкафа трябва да издържа товар от 60 г.

### **Поставяне и обезопасяване на фурната**

За да поставите фурната в шкафа са необходими усилията на двама човека.

Уверете се, че рамка на фурната и предният ръб на шкафа прилягат равномерно.

Захранващият кабел не трябва да бъде под фурната, притиснат между фурната и шкафа или да бъде прегънат.

Стабилизирайте фурната към шкафа, използвайки болтовете, предоставени с уреда. Болтовете трябва да се монтират, както е показано на фиг. 5, като ги поставите през пластмасовите елементи, закрепени за уреда. Болтовете не трябва да бъдат пренатегнати. В противен случай, може да се разбият техните гнезда.

Проверете дали след монтажа фурната се клати. Когато фурната не е монтирана съгласно инструкциите, съществува риск от преобръщане по време на работа.

### Свързване към електрическата мрежа

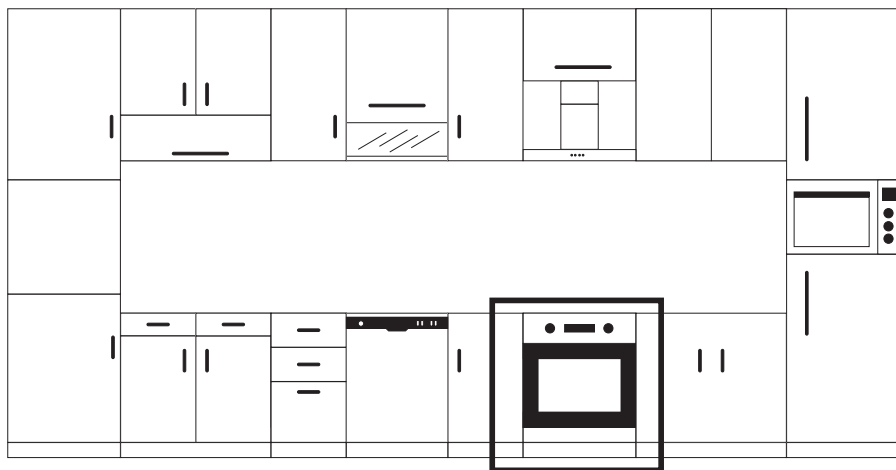
На мястото за монтаж на продукта трябва да има подготвена подходяща електрическа инсталация.

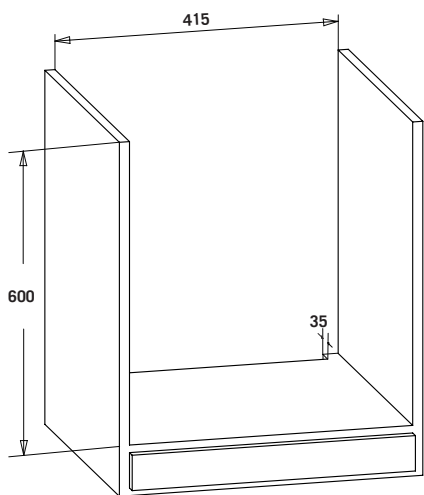
Напрежението на мрежата трябва да е съвместимо със стойностите, предоставени от етикета на уреда.

Свързване на уреда към електрическата мрежа трябва да се извърши в съответствие с местните и националните изисквания за свързване към електрическата мрежа.

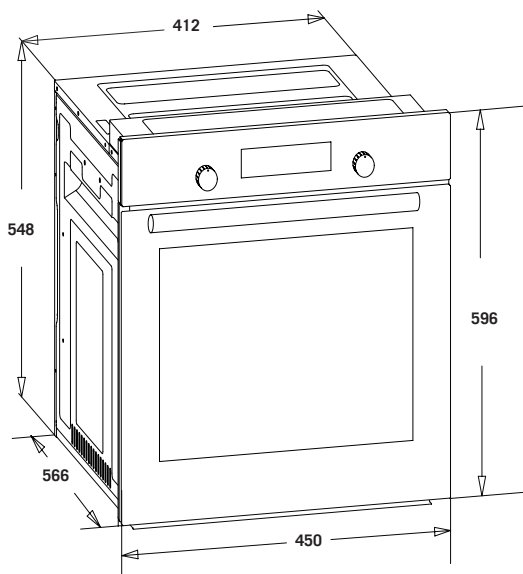
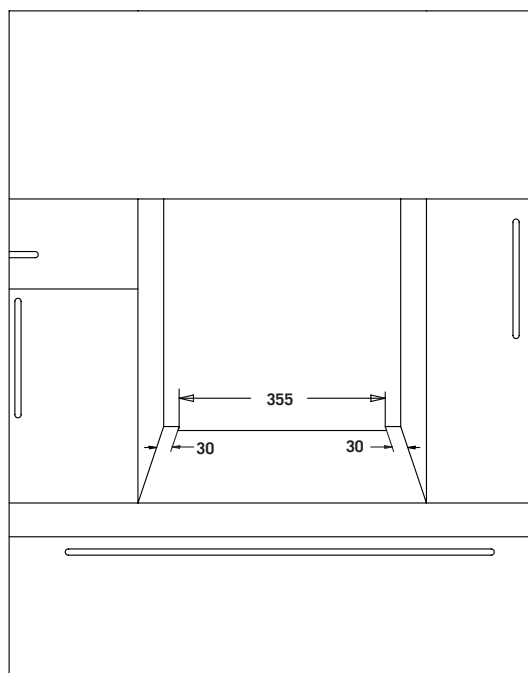
Преди да започнете монтажа, изключете захранването. Не включвайте уреда към захранването, преди да е завършен монтажът.

### Монтаж

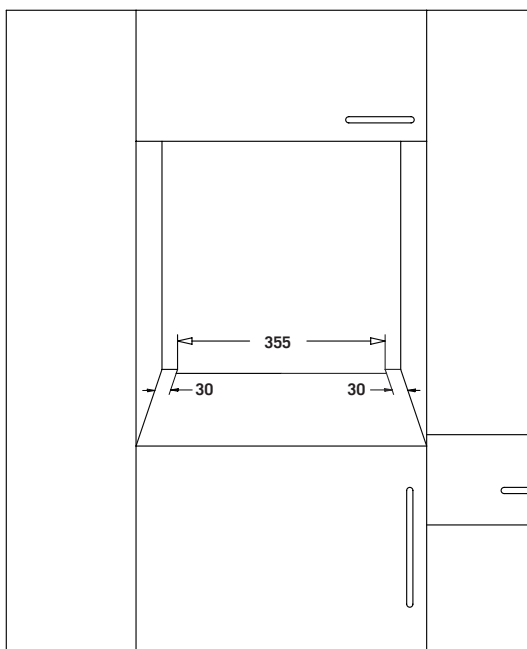
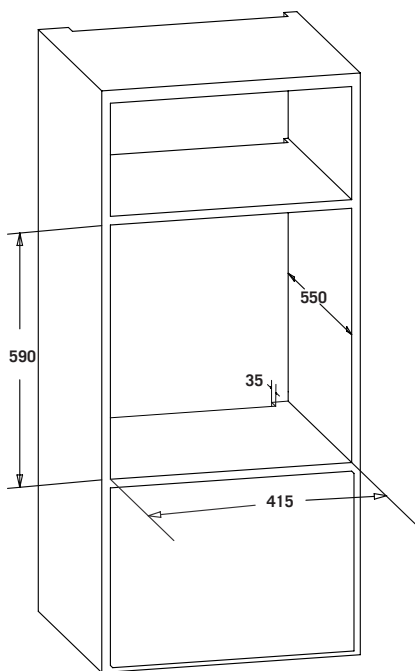
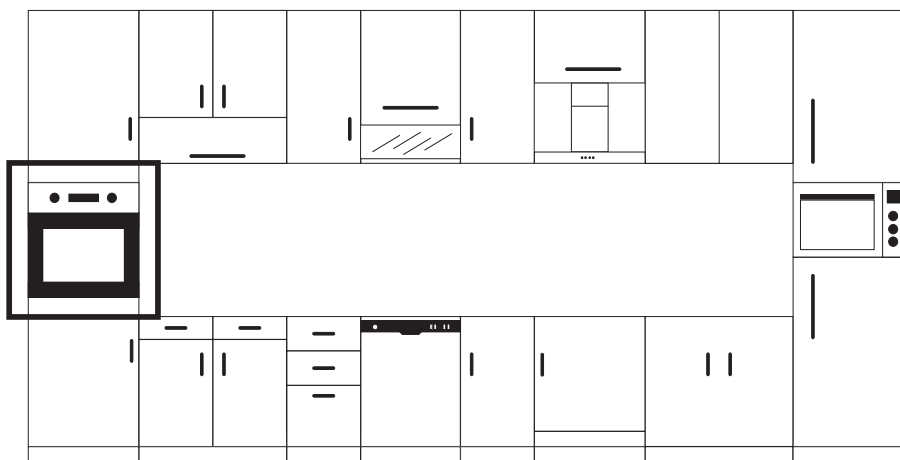




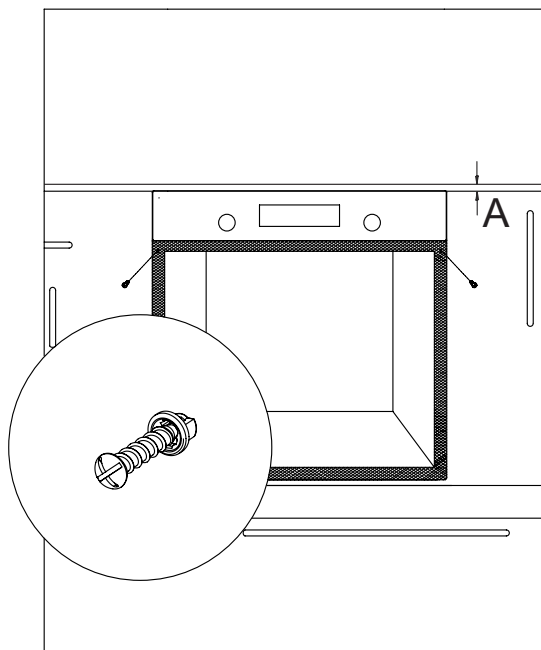
Фигура 2



Фигура 3

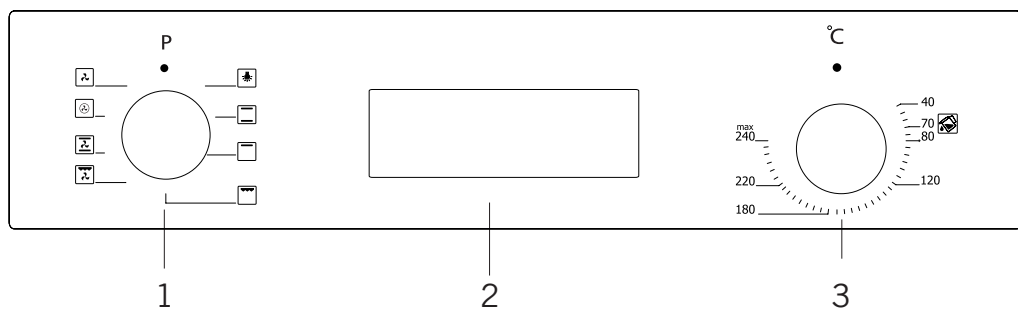


Фигура 4



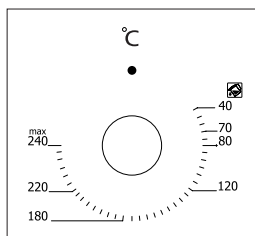
Фигура 5

**КОНТРОЛЕН ПАНЕЛ**

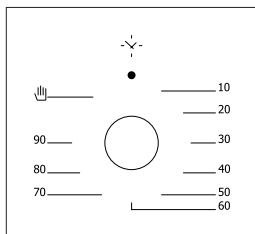


1. Функционален бутон
2. Механичен или цифров таймер
3. Термостат

**ПРЕДУПРЕЖДЕНИЕ:** Панелът за управление по-горе е само за илюстрация. Обърнете внимание на панела за управление на вашия уред.



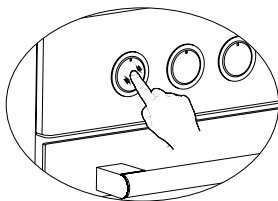
**Бутон на термостата:** Помага за настройването на температурата за приготвяне на храната във фурната. След като сте поставили храната във фурната, можете да зададете желаната температура, завъртайки бутона. Във връзка с температурите за готвене на различните храни, проверете таблицата за готвене.



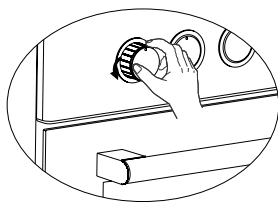
**Механичен бутон на таймера \*:** Помага за настройването на температурата за приготвяне на храната във фурната. Таймерът изключва захранването, когато зададеното време е изтекло, и сигнализира чрез звук. За времето за готвене, погледнете в таблицата за готвене.

### Използване На Изскачащия Бутон \*

За модели с изваждащо се копче, настройките могат да се правят, само когато копчето е извадено.



Уверете се, че копчето е извадено чрез натискане, както е показано на фигурата от лявата страна.



След като копчето е извадено, можете да правите настройки, завъртайки наляво и надясно.



## **УПОТРЕБА НА ФУРНАТА**

### **Първоначална употреба на фурната**

След като направите необходимото свързване, следвайки инструкциите, това са стъпките, които трябва да следвате, преди да използвате за пръв път вашата фурна:

1. Извадете етикетите и аксесоарите, останали вътре във фурната. Ако има защитно фолио в предната част на фурната, премахнете го.

2. Премахнете праха и остатъчните материали от пакетирането от вътрешността на фурната с влажна кърпа. Във вътрешността на фурната не трябва да има нищо. Включете щепсела на уреда в контакта.

3. Настройте бутона на термостата на най-високата температура (Макс 240 °C) и оставете фурната да работи 30 минути при затворена врата. През това време ще се образува лек дим и миризма, това е нормално.

4. Избършете вътрешността на фурната с малко топла вода и препарат за миене, след като тя се охлади, и след това подсушете с чиста кърпа. Сега можете да използвате вашата фурна.

### **Нормална употреба на фурната**

1. За да започнете да готвите, настройте бутона на термостата на температурата, при която желаете да готвите.

2. При моделите с механичен таймер, можете да зададете време за готвене, каквото пожелаете, използвайки бутона. Когато зададеното време изтече, таймерът ще изключи захранването и ще издаде звуков сигнал.

3. Таймерът изключва нагревателите и издава звуков сигнал, когато времето за готвене изтече в съответствие с информацията, въведена в моделите с цифров таймер.

4. След като завърши готвенето, охладителната система ще продължи да работи. Не изключвайте захранването при такава ситуация, уредът трябва да се охлади. Системата ще се изключи след като охлаждането е завършило.

## Използване На Грила

1. Когато поставите скарата върху горната стойка, храната на скарата не трябва да докосва скарата.

2. Можете да подгрявате за 5 минути при използване на скарата. Ако е необходимо, можете да обърнете храната наобратно.

3. Храната трябва да бъде в центъра на скарата, за да осигури максимален въздушен поток през фурната.

### За да включите грила;

1. Поставете функционалния бутон върху символа на грила.

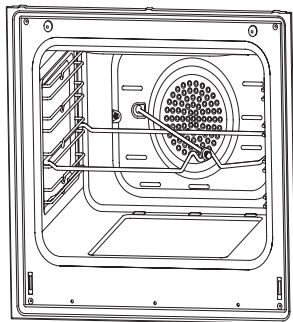
2. След това го нагласете на желаната температура на скарата.

### За да изключите грила;

Задайте функционалния бутон на позиция изключено.

**ПРЕДУПРЕЖДЕНИЕ:** Дръжте вратата на фурната затворена при печене.

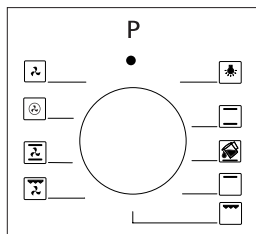
## Печене На Пиле \*



Поставете шиша върху рамката. Плъзнете конструкцията на шиша във фурната на желаното ниво. Поставете тавата за събиране на мазнината на дъното на фурната. Добавете малко вода в тавата за остатъчна мазнина, за да почистите по-лесно след това. Не забравяйте да премахнете пластмасова част от шиша. След като изпечете, завийте пластмасовата дръжка на шиш и извадете храната от фурната.

Фигура 6

## ВИДОВЕ ПРОГРАМИ



**Бутон на термостата:** Помага за настройване на нагревателя, който ще работи за приготвяне на поставената във фурната храна. По-долу са показани видовете програми за нагревателите и техните функции. Всички модели може да нямат всички видове нагреватели и програми, свързани тях.

Видовете програми за вашия уред и важни обяснения по тях са предоставени по-долу за вас, за да можете да готвите различни храни, в зависимост от вашия вкус.

	Долни и горни нагряващи елементи		Вентилатор
	Долен нагряващ елемент и вентилатор		Турбо нагревател и вентилатор
	Запечено и печено пиле на грил		Долен-горен нагряващ елемент и вентилатор
	Горен нагряващ елемент и вентилатор		Грил и вентилатор
	Долен нагряващ елемент		Грил
	Горен нагряващ елемент		Почистване с пара

**Долен нагряващ елемент:** Изберете тази програма към края на времето за готвене, ако ще се нагрява долната част на съда за готвене.

**Горен нагряващ елемент:** Използва се за периода след загреване или печене на много малки парченца храни.

**Долни и горни нагряващи елементи:** Програма, която може да бъде използвана за приготвяне на кекс, пица, бисквити и дребни сладки.

**Долен нагряващ елемент и вентилатор:** Използва се предимно за приготвяне на храни като плодове кекс.

**Долни и горни нагряващи елементи и вентилатор:** Тази програма е подходяща за приготвяне на храни като кекс, по-сух сладкиш, лазаня. Подходяща е за приготвяне на ястия с месо също.

**Грил:** Скарата за печене се използва за приготвяне на храна като пържоли, наденици и риба. По време на готвене на скарата, под нея, на долния рафт трябва да се постави тавичка с вода.

**Турбо нагревател и вентилатор:** Подходяща за печене и запичане. Тъй като топлината се придвижва незабавно чрез въздушния поток, задайте по-ниски температури от тези на програмата „Горен и долен нагревател“.

**Грил и вентилатор:** Подходяща е за приготвяне на видове ястия с месо. По време на готвене върху скарата, не забравяйте да поставите на по-долния рафт тавичка с вода.

### **ПРЕПОРЪКИ ЗА ГОТВЕНЕ**

В таблицата по-долу ще намерите информация за видовете храна, които ние сме тествали в нашите лаборатории, и сме определили стойностите за тяхното приготвяне. Времето за готвене може да е различно в зависимост от напрежението в мрежата, качеството на продуктите, които трябва да се сготвят, количеството и температурата. Ястията, които пригответе, използвайки тези стойности, може да не са по вашия вкус. Можете да задавате различни стойности и да получите различни вкусове и резултати, отговарящи на вашия вкус, като правите проби.

**ПРЕДУПРЕЖДЕНИЕ:** Преди да поставите храна във фурната, тя трябва да се загрее в рамките на 7-10 минути.

## ТАБЛИЦА ЗА ГОТВЕНЕ

Храна	Готвене Функция	Готвене Температура (°C)	Рафт за готвене	Готвене Време за готвене (мин.)
Кекс	Статично/статично + вентилатор	170-180	2-3	35-45
Малък кекс	Статично/турбо + вентилатор	170-180	2	25-30
Пай	Статично/статично + вентилатор	180-200	2	35-45
Тестени изделия	Статично	180-190	2	20-25
Бисквити	Статично	170-180	2	20-25
Ябълков пай	Статично/турбо + вентилатор	180-190	1	50-70
Пандишпанов кекс	Статично	200/150 *	2	20-25
Пица	Статично вентилатор	180-200	3	20-30
Лазаня	Статично	180-200	2-3	25-40
Меренге (целувки)	Статично	100	2	50
Печено пиле **	Грил + вентилатор	200-220	3	25-35
Печена риба **	Грил + вентилатор	200-220	3	25-35
Телешка пържола **	Грил + вентилатор	Максимално	4	15-20
Печени кюфтета **	Грил + вентилатор	Максимално	4	20-25

\* Не загрявайте предварително. През първата половина от времето за готвене се препоръчва да се готви при температура 200 °C, а през втората половина от времето за готвене, да се зададе температура 150 °C.

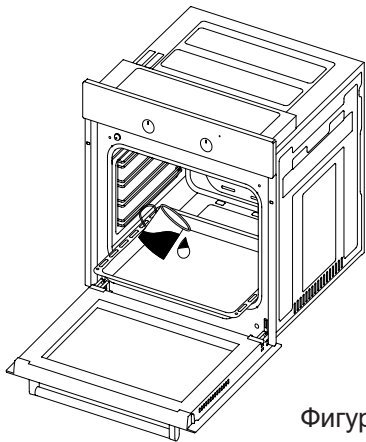
\*\* По средата на времето за готвене, храната трябва да се обърне.

## ПОДДРЪЖКА И ПОЧИСТВАНЕ

1. Извадете захранващия щепсел от контакта.
2. Не почиствайте вътрешните части, панела, тавата и другите елементи на фурната с твърди инструменти като четка, кухненска тел или нож. Не използвайте абразивни или изтриващи материали и препарати.
3. След като избършете вътрешните части на уреда със сапунена кърпа, изплакнете ги и изсушете със суха кърпа.
4. Почиствайте повърхностите от стъкло със специален препарат за почистване.
5. Не почиствайте вашия уред с парочистачка.
6. Никога не използвайте запалителни вещества като киселина, разтворител и газ, докато почиствате вашия уред.
7. Не мийте части от уреда в съдомиялна машина.
8. При замърсявания и петна, използвайте калиев стеарат. (мек сапун)

### Почистване С Пара \*

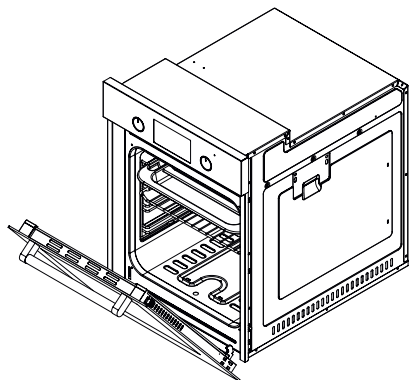
Дава възможност за почистване на петна, след като те са омекнали, благодарение на генерираната от фурната пара.



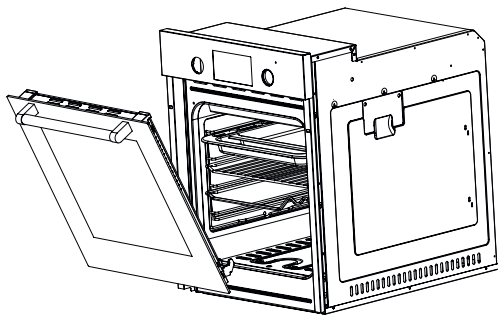
Фигура 7

1. Премахнете всички аксесоари от фурната.
2. Сложете половин литър вода в тавата и поставете тавата на дъното на котела.
3. Завъртете ключа на режим за почистване.
4. Настройте термостата на 70 °C и оставете да работи 30 минути.
5. След 30 минути, отворете вратата на фурната и забършете вътрешните повърхности с влажна кърпа.
6. За упоритите петна, използвайте течен препарат за миене, топла вода и мека кърпа, след това подсушете със суха кърпа зоната, която току що сте почистили.

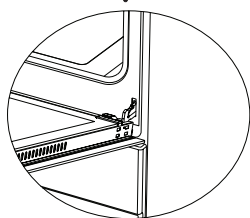
## Почистване И Монтаж На Вратата На Фурната



Фигура 8



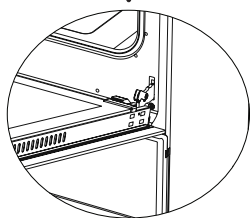
Фигура 9



Фигура 8.1

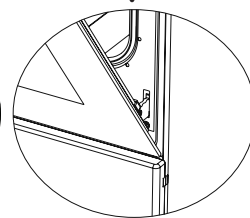
Отворете вратата на фурната изцяло, дърпайки вратата към себе си. Тогава отключете уреда за работа, издърпвайки заключващата панта към себе си с помощта на отвертка така, както е показано на

**Фигура 8.1.**



Фигура 8.2

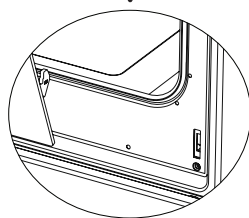
Настройте заключващата панта на най-широкия ъгъл, както е показано на **Фигура 8.2**. Регулирайте и двете панти, които свързват вратата на фурната към фурната, на равни позиции.



Фигура 9.1

След това, затворете отворената врата на фурната, така че да бъде на позиция, в която да прави контакт със заключващата панта, както е показано на

**Фигура 9.1.**



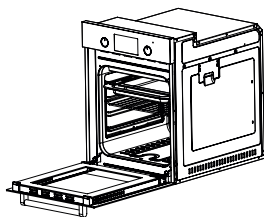
Фигура 9.2

За да премахнете по-лесно вратата на фурната, когато тя почти е затворена, хванете капака с две ръце, както е показано на **Фигура 9.2** и издърпайте към вас.

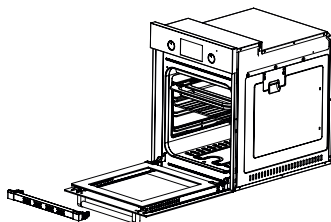
Направете в обратен ред това, което направихте при отваряне на вратата, за да я монтирате обратно.

## Почистване На Стъклото На Фурната

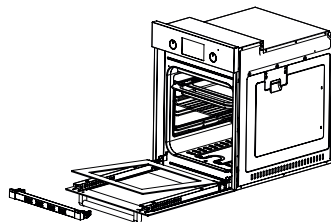
Натиснете пластмасовите ключалки от лявата и дясната страна, както е показано на фигура 10, и повдигнете профила, като го издърпате към себе си, както е показано на фигура 11. Стъклото ще бъде свободно след премахване на профила, както е показано на фигура 12. Внимателно издърпайте свободния край на стъклото към вас. Ако е необходимо, средното стъкло може да бъде премахнато по същия начин. Външното стъкло е фиксирано към профила на вратата на фурната. Можете лесно да почистите стъклата, след като са били отстранени. След като почистването и поддръжката приключат, можете да смените стъклата и профила, като извършите процедурата по отстраняване в обратен ред. Уверете се, че стъклото е поставено в правилната посока и че профилът е поставен правилно.



Фигура 10



Фигура 11



Фигура 12



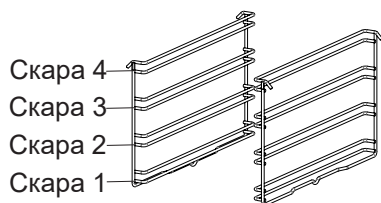
## Каталитични Стени \*

Каталитичните стени са разположени от лявата и дясната страна на кухината под водачите. Каталитичните стени прогонват лошата миризма и осигуряват найдобрата работа на печката. Каталитичните стени също абсорбират мазните пръски и почистват вашата фурна, докато тя още работи.

### Сваляне на каталитичните стени

За да свалите каталитичните стени, трябва да извадите водачите. Веднага след като извадите водачите, каталитичните стени ще се освободят автоматично. Каталитичните стени трябва да се сменят на всеки 2-3 години.

### Позиции На Скарата



Важно е правилно да поставите телената скара във фурната. Не допускайте окачването на тел за докосване на задната стена на фурната. Позициите на рафтовете са показани на следващата фигура. Можете да поставите дълбока тава или стандартна тава в долната и горната скара.

### Монтаж и сваляне на метални рафтове

За да премахнете металните рафтове, натиснете скобите, показани със стрелки на фигурата, първо свалете долната и от горната страна от мястото на монтажа. За монтиране на металните рафтове; обратно на процедурата за сваляне на металните рафтове.

## Смяна На Крушката На Фурната

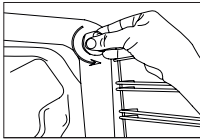
**ПРЕДУПРЕЖДЕНИЕ:** Преди подмяна на крушката с цел да избегнете токов удар, уверете се, че захранването на уреда е открито т.е изключете фурната от електрическата мрежа. (Открита електрическа мрежа е електрическа мрежа, която не предава ток)

Свалете стъкления капак като го завъртите както е показано на фигурата. Доколко имате затруднения с премахването му, може да ви помогне, ако използвате гумени / пластмасови ръкавици.

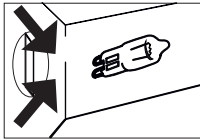
След това, извадете крушката, като завъртите и поставете нова крушка със същите изисквания.

Поставете плафониерата и завършете процеса на подмяна, като включите уреда в контакта. Сега можете да използвате вашата фурна.

### Лампа тип G9

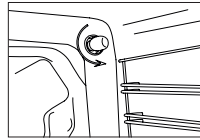


220-240 V, AC  
15-25 W

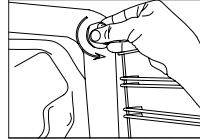


Фигура 16

### Лампа тип E14



220-240 V, AC  
15 W



Фигура 17

**ПРЕДУПРЕЖДЕНИЕ:** Това производство с клас на енергийна ефективност G, който е източник на светлинна енергия.

## ОТСТРАНЯВАНЕ НА ПРОБЛЕМИ

Можете да разрешите проблемите, които може да срещнете с вашия продукт, като проверите следните точки, преди да се обадите на техническата служба.

### Точки за проверка

Ако имате проблем с фурната, първо проверете таблицата по-долу и изпробвайте предложенията.

Проблем	Възможна причина	Какво да направя
Фурната не работи	Няма захранване.	Проверете електрозахранването.
Фурната спира да работи по време на готвене.	Щепселът излиза от контакта.	Поставете отново щепсела в контакта.
Изключване по време на готвене.	Твърде продължителна работа.	Оставете фурната да се охлади след дълги готварски цикли.
	Вентилаторът за охлаждане не работи.	Заслушайте в шумовете, които идват от охлаждащия вентилатор.
	Фурната не е монтирана на място с добра вентилация.	Уверете се, че разстоянията, посочени в инструкциите за експлоатация, са спазени.
	Повече от един щепсел в контакта.	За всеки степен контакт използвайте само една щепсела.
По време на експлоатация външната повърхност на печката се нагорещява много.	Фурната не е монтирана на място с добра вентилация.	Уверете се, че разстоянията, посочени в инструкциите за експлоатация, са спазени.
Вратата на фурната не се отваря правилно.	Остатъците от храна се задържат между вратата и вътрешната кухня.	Почистете добре фурната и опитайте отново да отворите вратата.
Вътрешната светлина е слаба или не работи.	Външни обекти покриват лампата по време на готвене.	Почистете вътрешната повърхност на фурната и проверете отново.
	Лампата може да е изгоряла.	Заменете с лампа със същите спецификации.
Електрически удар при докосване на фурната.	Заземяването е неправилно.	Уверете се, че захранването е заземено правилно.
	Използва се неподвижен гнездо за стена.	

Проблем	Възможна причина	Какво да направя
Капе вода.	Водата или пара може да се генерират при определени условия, в зависимост от храната, която се приготвя. Това не е повреда на уреда.	Оставете фурната да се охлади и след това да изсъхне с кърпа.
Парата излиза от пукнатината на вратата на фурната.		
Водата остава във фурната.		
Охлаждащият вентилатор продължава да работи след като готвенето е приключило.	Вентилаторът работи за определен период от време за да вентилира вътрешната кухня на фурната.	Това не е повреда на уреда; не е нужно да се притеснявате.
Фурната не загрява.	Вратата на фурната е отворена.	Затворете вратата и рестартирайте.
	Управлението на фурната не е правилно настроено.	Прочетете секцията относно работата на фурната и рестартирайте фурната.
	Предпазителят е изгорял или верижният прекъсвач е изключен.	Сменете предпазителя или верижния прекъсвач. Ако това се повтаря често, обадете се на електротехник.
По време на работа излиза дим.	Когато работите с фурната за първи път	От нагревателите излиза дим. Това не е неизправност. След 2-3 цикъла няма да има повече дим.
	Храна върху нагревателя.	Оставете фурната да се охлади и да почистите остатъците от храна от дъното на фурната и повърхността на горния нагревател.
При работа фурната гори или излиза миризма на пластмаса.	Вътре във фурната се използват пластмасови или други нетоплоустойчиви принадлежности.	При високи температури използвайте подходящи аксесоари за стъklarия.
Фурната не готви добре.	Вратата на фурната се отваря често по време на готвене.	Не отваряйте често вратата на фурната, ако храната, която готвите, не се нуждае от завъртане. Ако отворите вратата, често вътрешната температура пада и следователно ще се повлияе резултатът от готвенето.

## **ПРАВИЛА ЗА БОРАВЕНЕ**

1. Не използвайте вратата и / или дръжката, за да носите или премествате уреда.
2. Извършвайте преместването и транспортирането в оригиналната опаковка.
3. Обърнете внимание на уреда при товарене / разтоварване и манипулиране.
4. Уверете се, че опаковката е добре затворена по време на работа и транспортиране.
5. Пазете от външни фактори (като влажност, вода и др.), които могат да повредят опаковката.
6. Внимавайте да не повредите уреда поради удари, катастрофи, капки и т.н. при манипулиране и транспортиране, а не да го счупите или деформирате по време на работа.

## **ПРЕПОРЪКИ ЗА ПЕСТЕНЕ НА ЕЛЕКТРОЕНЕРГИЯ**

Следващите подробности ще ви помогнат да използвате продукта си екологично и икономично.

1. Използвайте контейнери с тъмни цветове и емайли, които по-добре отопляват фурната.
2. Когато пригответе храната си, ако рецептата или ръководството за потребителя показват, че е необходимо предварително нагряване, горете предварително фурната.
3. Не отваряйте често вратата на фурната по време на готвене.
4. Опитайте се да не готвите няколко ястия едновременно във фурната. Можете да готвите по едно и също време, като поставите два котлона на шкафа.
5. Гответе няколко ястия последователно. Печката няма да губи топлина.
6. Изключете фурната няколко минути преди изтичане на времето за готвене. В този случай не отваряйте вратата на фурната.
7. Преди готвене размразете замразената храна.

## ЕКОЛОГИЧНО ИЗХВЪРЛЯНЕ



Изхвърляйте опаковката по екологичен начин. Етикетът върху уреда посочва, че последният отговаря на Европейска Директива 2012/19/EU относно използването на електрически и електронни уреди (отпадъчно електрическо и електронно оборудване - WEEE). Напътствията определят начина за връщане и рециклиране на използваните уреди в ЕС.

## ИНФОРМАЦИЯ ЗА ОПАКОВКАТА

Опаковката на продукта е произведена от рециклиращи се материали в съответствие с националните екологични разпоредби. Не изхвърляйте опаковъчните материали заедно с битовите и други отпадъци. Занесете ги в специалните пунктове за събиране на опаковъчни материали, определени от местните власти.